



PROTECTA SERIES

IP66 weatherproof control devices & sockets to safeguard home and family



PROTECTA Series

CONTROL DEVICES








REFERENCE STANDARDS

EN 60669-1

Switches for household and similar fixed-electrical installation.
Part 1: general requirements.

VERSIONS

	One way switch single pole - flush mounting - surface mounting
	Two way switch single pole - flush mounting - surface mounting
	Intermediate switch - flush mounting - surface mounting
	Bell push switch single pole - flush mounting - surface mounting
	Double pole switch - flush mounting - surface mounting

TECHNICAL CHARACTERISTICS

Rated current:	10A-10AX-20A-20AX
Rated voltage:	250V~
Frequency:	50Hz
Insulating voltage:	250V~
Protection degree:	IP66
Operating ambient temperature:	-20°C +60°C
Cabling capacity of the terminal:	3x2,5mm² 2x4mm² 1x6mm²
Glow Wire test:	650°C/850°C
Halogen free:	Yes
Material:	Engineering plastic
Cable inlet:	M20
Colour:	Grey RAL 7035
LED colour:	Orange

BEHAVIOUR WITH CHEMICAL AND ATMOSPHERIC AGENTS

Saline solution	Acids		Bases		Solvents				Mineral oil	UV rays
	Concentrated	Diluted	Concentrated	Diluted	Hexane	Benzol	Acetone	Alcohol		
Resistant	Limited Resistance	Resistant	Limited Resistance	Resistant	Resistant	Not Resistant	Not Resistant	Resistant	Limited Resistance	Resistant

For specific substances please contact our technical service.

UNSWITCH SOCKET OUTLETS

REFERENCE STANDARDS
CEI 23-50

Plugs and sockets for domestic and similar applications.
Part 1: general requirements.

IEC 60884-1

Plugs and socket-outlets for household and similar purposes.
Part 1: general requirements.

TECHNICAL CHARACTERISTICS

Rated current:	10A-13A-15A-16A
Rated voltage:	250V~
Frequency:	50Hz
Insulating voltage:	250V~
Protection degree:	IP66
Operating ambient temperature:	-5°C +60°C
Installation ambient temperature:	-20°C +60°C
Cabling capacity of the terminal:	10A: 0,75 mmq - 2,5 mmq 13A: 2,5 mmq - 6 mmq 15A: 2,5 mmq - 6 mmq 16A: 1 mmq - 2,5 mmq (according to ref. standard)
Glow Wire test:	650°C / 850°C
Halogen Free:	Yes
Material:	Engineering plastic
Cable inlets:	M20
Colour:	Base: Grey RAL 7035 Cover: smoke-tinted transparent

The IP66 degree of protection with the plug inserted is guaranteed mainly with angled plugs which can be coupled with the respective Standard sockets. This is the breakdown for the main Italian and European standards (Europe mainland):		Italian bivalent standard 16A P17/P11 137.4403 137.6403	Italian standard – 16A P30 137.4404 137.6404	German standard 16A 137.4412 137.6412 137.4407 137.6407	French standard – 16A P31 137.4411 137.6411
Plug 10A 2P+E extra flat SPA11	Wireable (body length up to 50 mm)	•			
	Permanent (body length up to 50 mm)	•			
Plug 16A 2P+E extra flat SPA17	Wireable (body length up to 50 mm)	•			
	Permanent (body length up to 50 mm)	•			
Plug 10A 2P straight S10 "Europlug"	Wireable (body length up to 41 mm)		•	•	•
	Permanent (body length up to 50 mm)		•	•	•
Plug 10A 2P+E straight S11	Wireable (body length up to 41 mm)		•		
	Permanent (body length up to 50 mm)		•		
Plug 16A 2P+E straight S30	Wireable (body length up to 41 mm)		•	•	
	Permanent (body length up to 45 mm)		•	•	
Plug 16A angled S30	Wireable (body length up to 60 mm)		•	•	
	Permanent (body length up to 65 mm)		•	•	
Plug 16A angled S31	Wireable (body length up to 60 mm)		•	•	•
	Permanent (body length up to 65 mm)		•	•	•

PROTECTA Series

ENCLOSURES



REFERENCE STANDARDS

EN 60670-1

Boxes and enclosures for electrical accessories for household and similar fixed electrical installations.
Part 1: general requirements.

VERSIONS

	Empty 1-module enclosure - flush mounting - surface mounting
	Empty 2-module enclosure - flush mounting - surface mounting
	Pole side by side enclosure
	Pole-top enclosure
	3-module flush-mounting box adapter IP55

TECHNICAL CHARACTERISTICS

Protection degree:	IP66 (*)
Operating ambient temperature:	-5°C +60°C
Installation ambient temperature:	-20°C +60°C
Glow Wire test:	650°C
Halogen free:	Yes
Material:	Engineering plastic
IK degree at 20°C:	IK07
Cable inlets:	M20
Colour:	Base: grey RAL 7035 Cover: smoke-tinted transparent

(*) IP55 for 3-module flush-mounting box adapter flange.

BEHAVIOUR WITH CHEMICAL AND ATMOSPHERIC AGENTS

Saline solution	Acids		Bases		Solvents				Mineral oil	UV rays
	Concentrated	Diluted	Concentrated	Diluted	Hexane	Benzol	Acetone	Alcohol		
Resistant	Limited Resistance	Resistant	Limited Resistance	Resistant	Resistant	Not Resistant	Not Resistant	Resistant	Limited Resistance	Resistant

For specific substances please contact our technical service.

1ST NUMBER

Protection for people from contact with hazardous parts (see also ADDITIONAL LETTER) and protection of equipment from the entry of solid foreign bodies.

IP	Solid foreign objects	Access to hazardous parts	
0			No protection
1			Protection from solid objects larger than 50mm (eg accidental contact of the hand)
2			Protection from solid objects larger than 12mm (eg the finger of a hand)
3			Protection from solid objects larger than 2.5mm (eg tools, wires)
4			Protection from solid objects larger than 1mm (eg fine tools and small wires)
5			Protection from dust (no harmful deposits)
6			Completely protected from dust

1st figure: Protection against solids. According to standards: **EN60529**

2ND NUMBER

Protection of equipment from water entry.

IP	Tests	
0		No protection
1		Protected from vertically falling water drops
2		Protected from vertically falling water drops at up to 15° from the vertical
3		Protected from vertically falling water drops at up to 60° from the vertical (rain)
4		Protected from splashing water in all directions
5		Protected from jets of water in all directions
6		Protected from jets of water similar to heavy seas
7		Protected from the effects of immersion
8		Protected from the effects of submersion

2nd figure : Protection against liquids. According to standards: **EN60529**

PROTECTA Series

APPLICATION EXAMPLES



APPLICATION EXAMPLES



PROTECTA Series

Weatherproof switches and sockets - IP66

SWITCHES M95 (95x95mm)



Description	⊞	FLUSH MOUNTING		SURFACE MOUNTING	
One way switch - single pole 1 gang		10AX - 250V~	1/12	137.3011	137.5011
		20AX - 250V~	1/12	137.3012	137.5012
One way switch - single pole 2 gang		10AX - 250V~	1/12	137.3021	137.5021
		20AX - 250V~	1/12	137.3022	137.5022
Two way switch - single pole 1 gang		10AX - 250V~	1/12	137.3211	137.5211
		20AX - 250V~	1/12	137.3212	137.5212
Two way switch - single pole 2 gang		10AX - 250V~	1/12	137.3221	137.5221
		20AX - 250V~	1/12	137.3222	137.5222
Intermediate switch single pole 1 gang		10AX - 250V~	1/12	137.3111	137.5111
		20AX - 250V~	1/12	137.3112	137.5112
Double pole switch 1 gang		20A - 250V~	1/12	137.3462	137.5462

PUSH BUTTON - M95 (95x95mm)



Description	⊞	FLUSH MOUNTING		SURFACE MOUNTING	
Bell push switch single pole "BELL" 1 gang		10A - 250V~	1/12	137.3311B	137.5311B
Bell push switch single pole "PRESS" 1 gang		10A - 250V~	1/12	137.3311P	137.5311P
		20A - 250V~	1/12	137.3312P	137.5312P
Two way switch - single pole 2 gang		10A - 250V~	1/12	137.3321	137.5321

- Flush mounting: box not included.

⊞ Package/Bulk Pack.



ITALIAN STANDARD
P17/11 - 16A
Shuttered socket
CEI 23-50



ITALIAN STANDARD
P30 - 16A
Shuttered socket
CEI 23-50



FRENCH STANDARD - 16A
Shuttered socket
NFC 61-314



GERMAN STANDARD - 16A
Shuttered socket
DIN VDE 0620

PROTECTA Modular Series

Weatherproof sockets - IP66



SOCKET OUTLETS M95 (95x95mm)

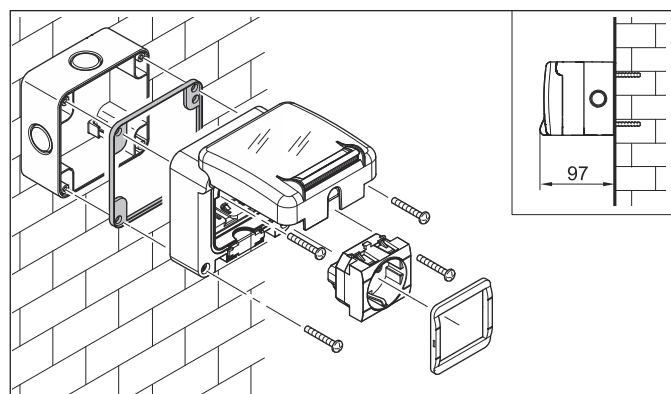


Description		☐	FLUSH MOUNTING	SURFACE MOUNTING	
Italian Standard	Italian P17/11	16A - 250V~	1/12	137.4403	137.6403
	Italian P30	16A - 250V~	1/12	137.4404	137.6404
	French	16A - 250V~	1/12	137.4411	137.6411
	German	16A - 250V~	1/12	137.4407	137.6407
International Standard	Argentinian	10A - 250V~	1/12	137.4424	137.6424
		20A - 250V~	1/12	137.4426	137.6426
	New Zealand	10A - 250V~	1/12	137.4427	137.6427
	Swiss	10A - 250V~	1/12	137.4417	137.6417
	Brazilian	10A - 250V~	1/12	137.4421	137.6421
Data	RJ 45 cat. 5e	RJ 45 cat. 5e	1/12	137.4481.50	137.6481.50

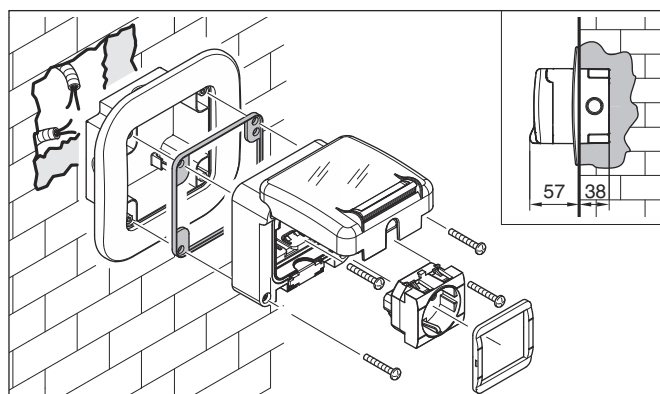
- Flush mounting: box not included.

☐ Package/Bulk Pack.

Modular socket outlets surface mounting



Modular socket outlets flush mounting



ARGENTINIAN STANDARD 10A-20A
Unshuttered socket
IRAM 2071



NEW ZEALAND STANDARD 10A
Unshuttered socket
AS/N25 3112



SWISS STANDARD 10A
Unshuttered socket
SEV 1011:1998



BRAZILIAN STANDARD 10A
Unshuttered socket
ABNT NBR 14136:2002












RJ45 Cat.5E

PROTECTA Series

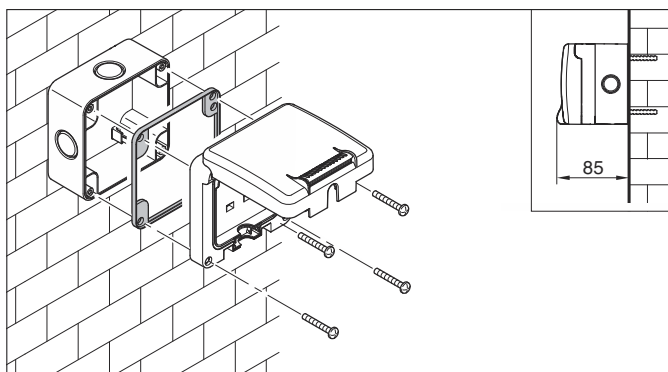
Weatherproof switches and sockets - IP66

SWITCH SOCKET OUTLETS

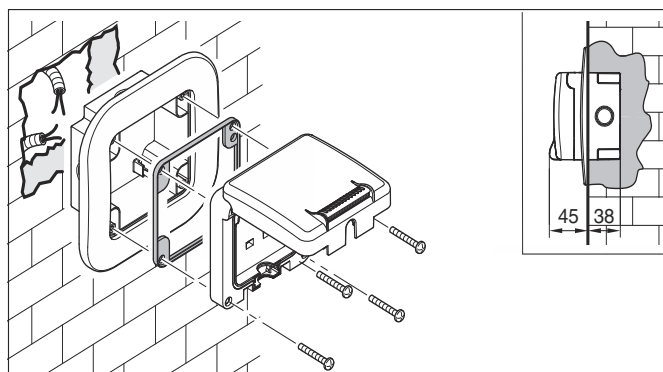
Description	Dimensions	Package/Bulk Pack	 	
			FLUSH MOUNTING	SURFACE MOUNTING
13A single - 250V~ D.P. switch with neon	M115 (115x115mm)	1/12	137.4022	137.6022
- Flush mounting: box not included.				
Description	Dimensions	Package/Bulk Pack	 	
			FLUSH MOUNTING	SURFACE MOUNTING
15A - 250V~ S.P. switch	M115 (115x115mm)	1/12	137.4111	137.6111
- Flush mounting: box not included.				
Description	Dimensions	Package/Bulk Pack	 	
			FLUSH MOUNTING	SURFACE MOUNTING
13A double - 250V~ D.P. switch with neon	M195 (195x115mm)	1/12	137.4042	137.6042
- Flush mounting: box not included.				
Description	Dimensions	Package/Bulk Pack	 	
			FLUSH MOUNTING	SURFACE MOUNTING
13A double - 250V~ D.P. switch with neon + RCD protection (passive)	M195 (195x115mm)	1/12	137.4043	137.6043
- Flush mounting: box not included.				

 Package/Bulk Pack.







Surface mounting





Flush mounting



SOCKET OUTLETS

Description	Dimensions	⊞		
			FLUSH MOUNTING	SURFACE MOUNTING
13A single	M95 (95x95mm)	1/12	137.4001	137.6001
- Flush mounting: box not included.				
Description	Dimensions	⊞		
			FLUSH MOUNTING	SURFACE MOUNTING
13A double	M95x2 (195x95mm)	1/12	137.4002	137.6002
- Flush mounting: box included.				
Description	Dimensions	⊞		
			FLUSH MOUNTING	SURFACE MOUNTING
13A single unswitched socket +20A double poleswitch	M95x2 (195x95mm)	1/12	137.4003	137.6003
- Flush mounting: box included. ⊞ Package/Bulk Pack.				

SPUR UNITS

Description	Dimensions	⊞		
			FLUSH MOUNTING	SURFACE MOUNTING
13A Switch + fuse	M115 (115x115mm)	1/12	137.3410	137.5410
- Flush mounting: box not included. ⊞ Package/Bulk Pack.				

AVAILABLE STANDARDS



BRITISH STANDARD - 13A
Shuttered socket
BS 1363-2
BS 7288:1990



BRITISH STANDARD - 15A
Shuttered socket
BS 546

PROTECTA Series

Weatherproof switches and sockets - IP66

ENCLOSURES



Description	Dimensions	Package/Bulk Pack	
1 gang	M95 (95x95mm)	1/12	137.001
2 gang	M95 (95x95mm)	1/12	137.002
Pole Ø 50÷70 side by side	M95 (95x95mm)	1/12	137.141
Pole Ø 50÷60 top	M95 (95x95mm)	1/12	137.131

- Accepts Scame EVOLUTION Series inserts.

☐ Package/Bulk Pack.

BOXES



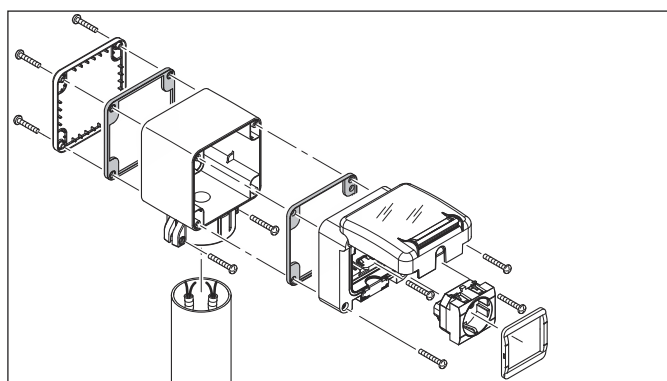
Description	Dimensions	Package/Bulk Pack	FLUSH MOUNTING	SURFACE MOUNTING
1 gang	M95 (95x95mm)	1/12	137.121	137.101
2 gang	M95X2 (195x95mm)	1/12	137.122	137.102



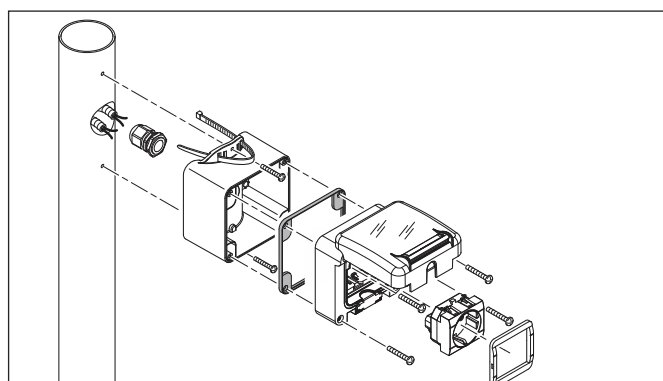
Description	Dimensions	Package/Bulk Pack	FLUSH MOUNTING	SURFACE MOUNTING
1 gang	M115 (115x115mm)	1/12	137.123	137.103
1 gang	M195 (195x115mm)	1/12	137.124	137.104

☐ Package/Bulk Pack.

Pole-top mounting



Pole side by side mounting

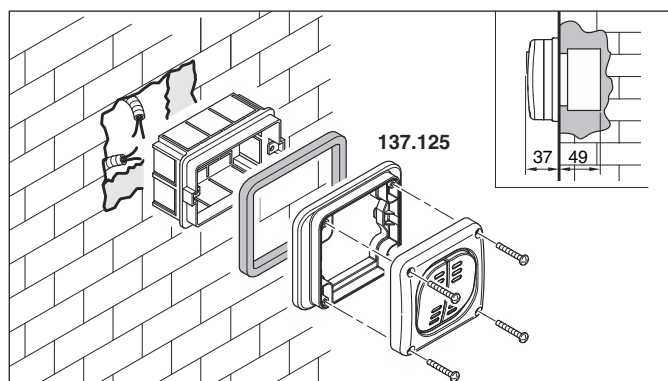


ACCESSORIES

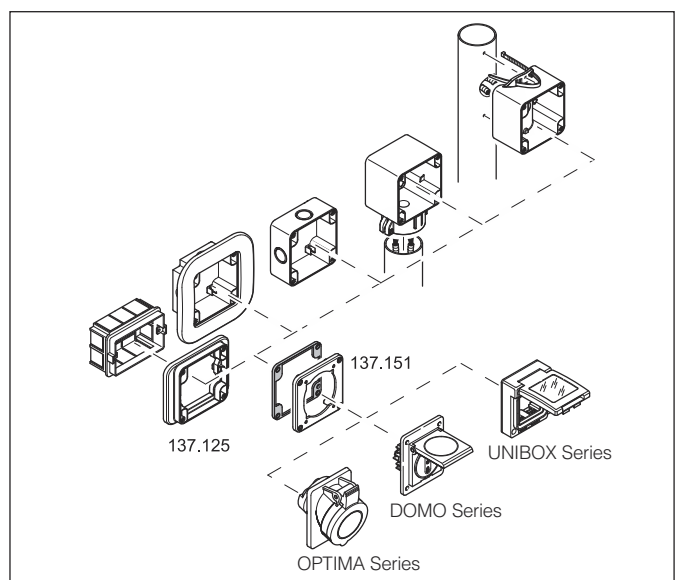
			IP55	
Description				
M95 Adapter for 3-MODULE flush-mounting boxes (*)	12		137.125	
Cover for M95 boxes with 70x87 predrilling	12			137.151
(*) The IP55 degree of protection is obtained with the cover closed and with the item installed on smooth, impermeable walls without grooves (smooth tiles, marble).				
				
Description				
Self-locking ties for external wiring (9x360mm)	100/2000		839.39/9350	
Tear-resistant cable glands with antiloosening device (M20x1,5)	25/500			805.5420.1
				
Description				
LED 220V~	10/100		137.200	
Earth terminal	10/100			137.201
Special gel seal	10/100			137.202
Sealing caps	200			137.203

 Package/Bulk Pack.

Flush-mounting box adapter

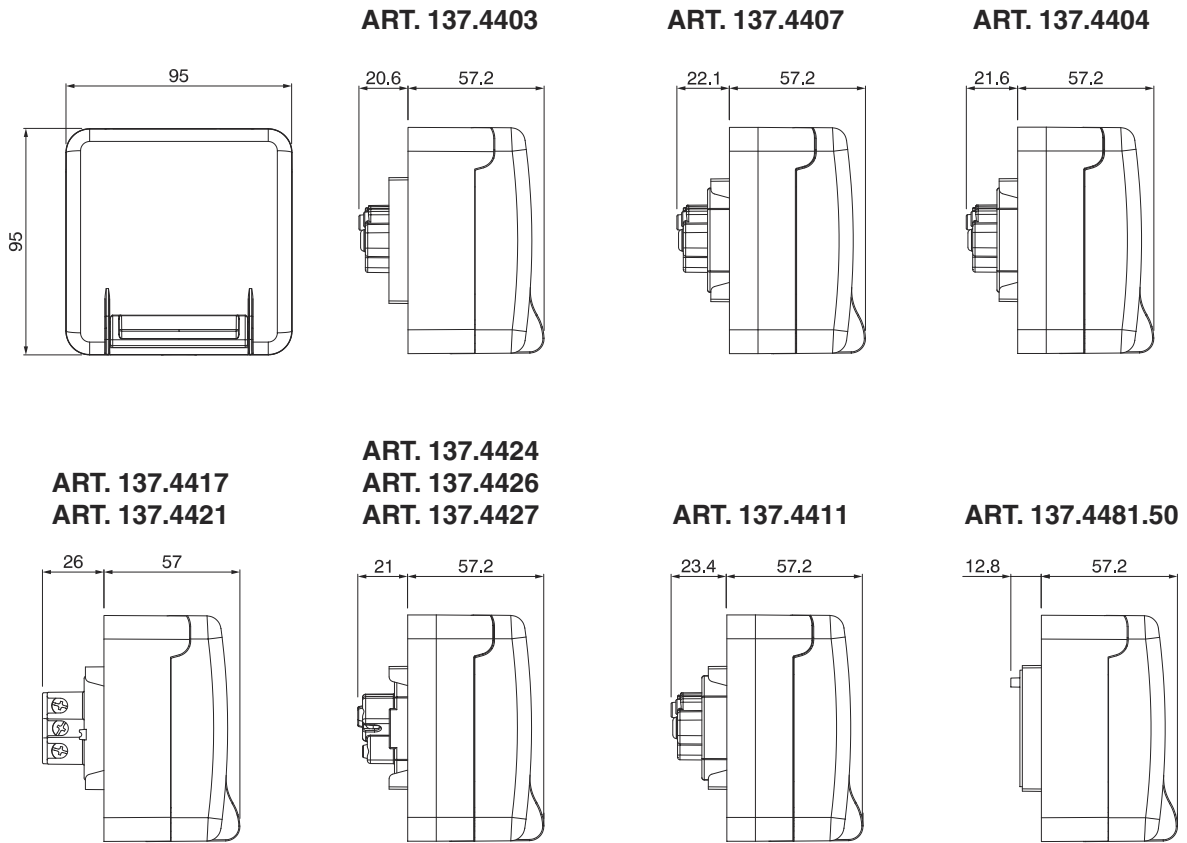


Cover for M95 boxes with 70x87 predrilling

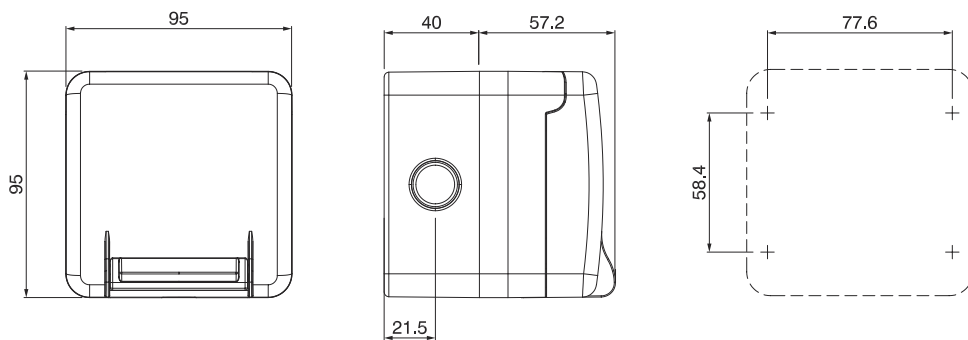


PROTECTA Modular Series

DIMENSIONS

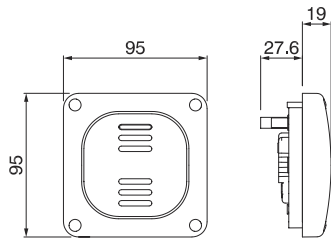


ART. 137.6403 - 137.6404 - 137.6407 - 137.6411 - 137.6424 - 137.6426 - 137.6427
137.6481.50 - 137.6417 - 137.6421

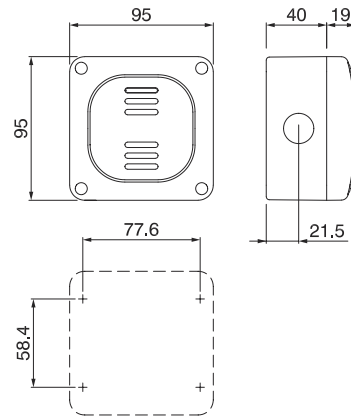


(Dimensions in mm)

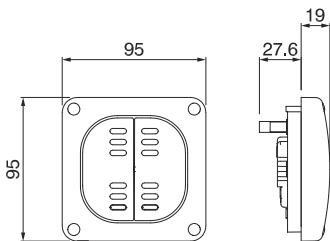
ART. 137.3011 137.3012
 137.3211 137.3212
 137.3311B 137.3311P
 137.3462 137.3312P
 137.3111 137.3112



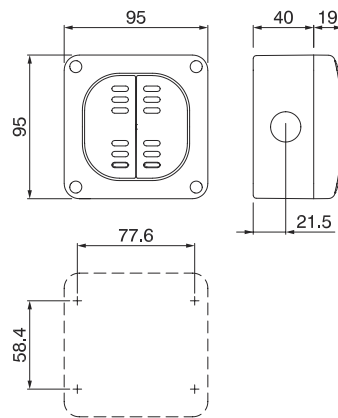
ART. 137.5011 137.5012
 137.5211 137.5212
 137.5311B 137.5311P
 137.5462 137.5312P
 137.5111 137.5112



ART. 137.3021 137.3022
 137.3221 137.3222
 137.3321



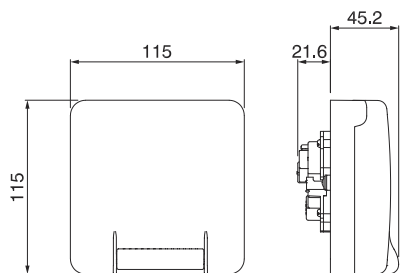
ART. 137.5021 137.5022
 137.5221 137.5222
 137.5321



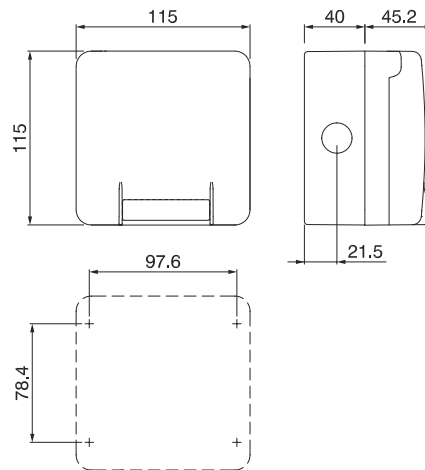
PROTECTA Series

DIMENSIONS

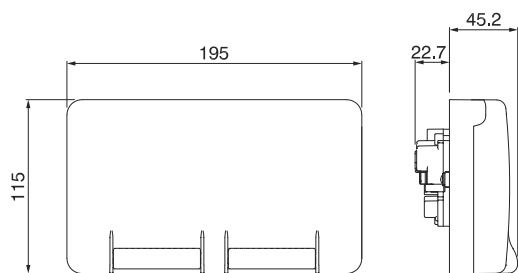
ART. 137.4022 137.4111



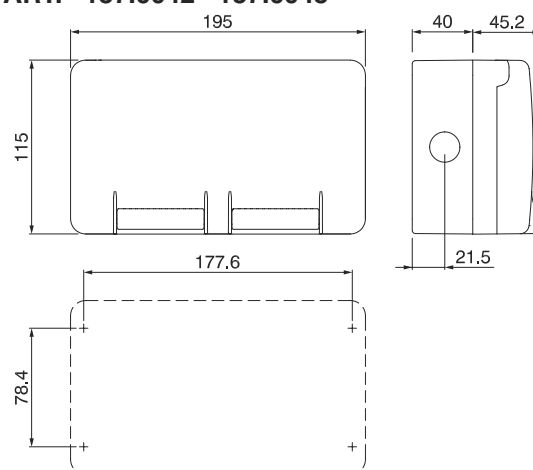
ART. 137.6022 137.6111



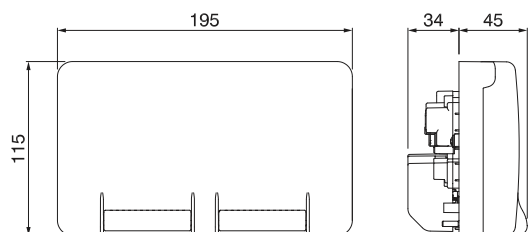
ART. 137.4042



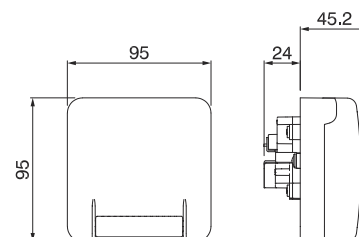
ART. 137.6042 137.6043



ART. 137.4043

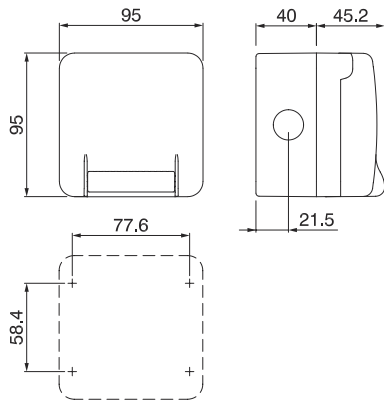


ART. 137.4001

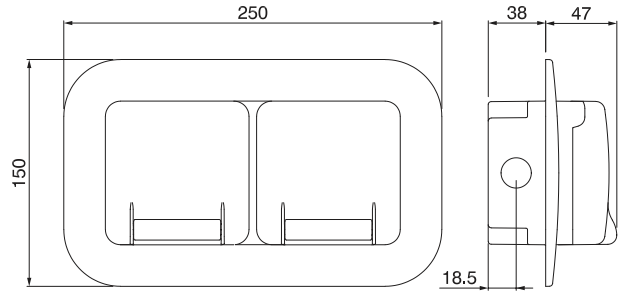


(Dimensions in mm)

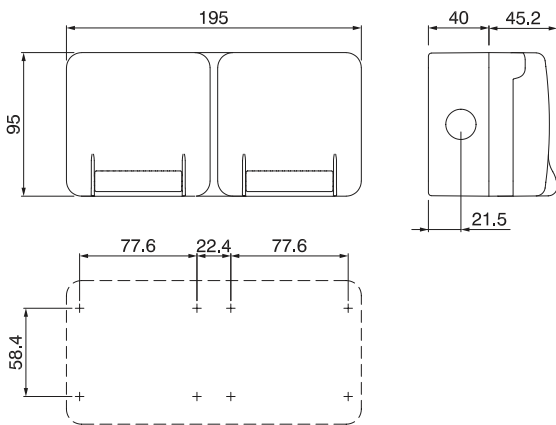
ART. 137.6001



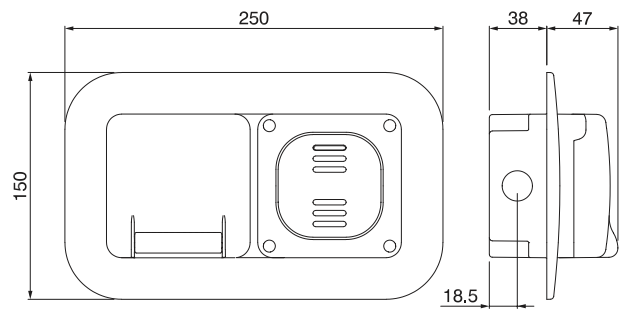
ART. 137.4002



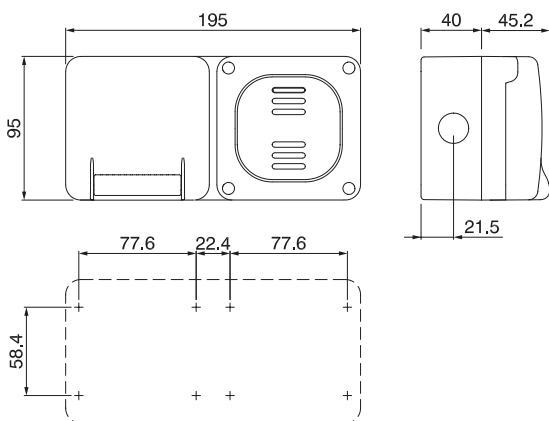
ART. 137.6002



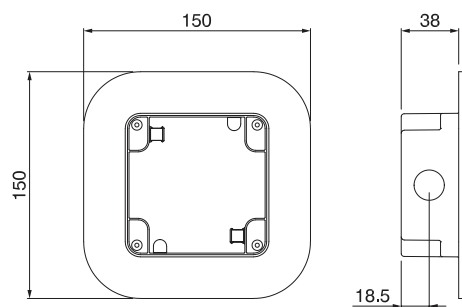
ART. 137.4003



ART. 137.6003



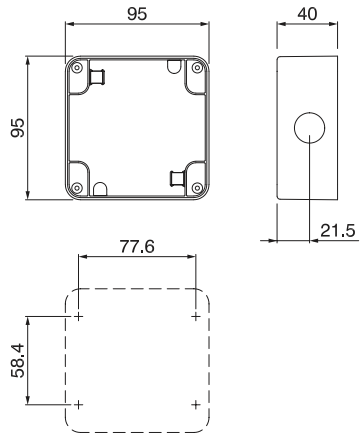
ART. 137.121



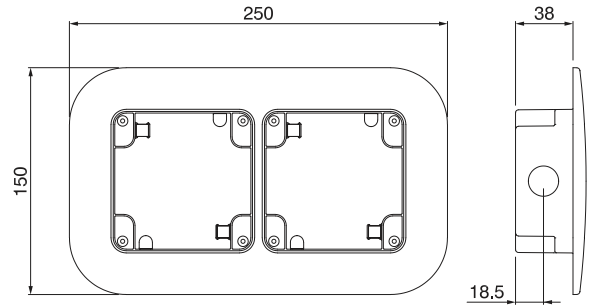
PROTECTA Series

DIMENSIONS

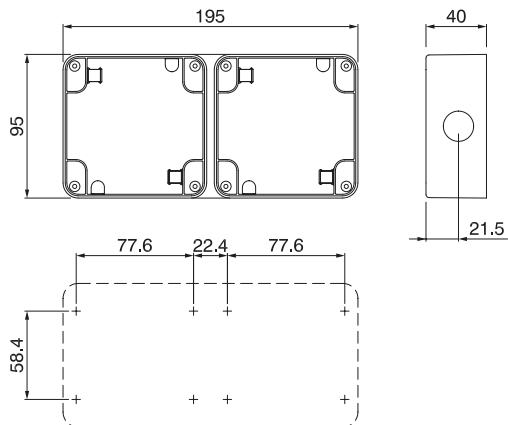
ART. 137.101



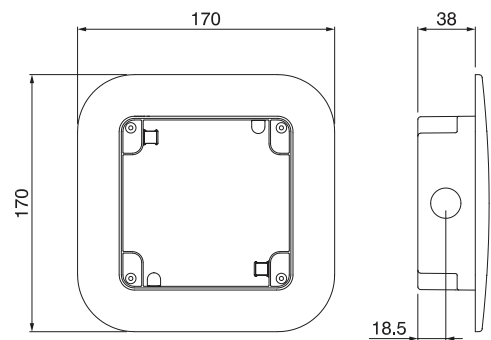
ART. 137.122



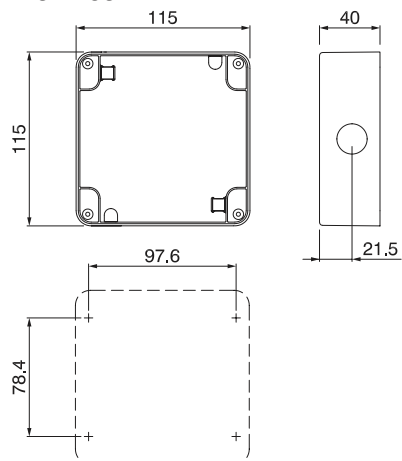
ART. 137.102



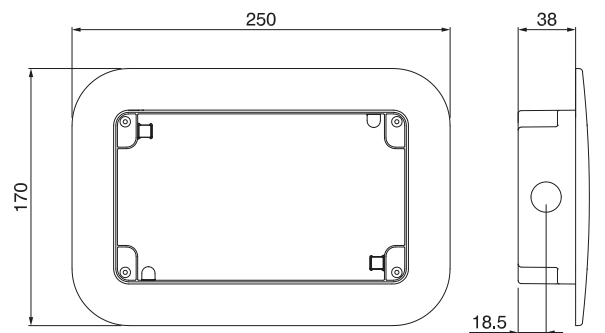
ART. 137.123



ART. 137.103

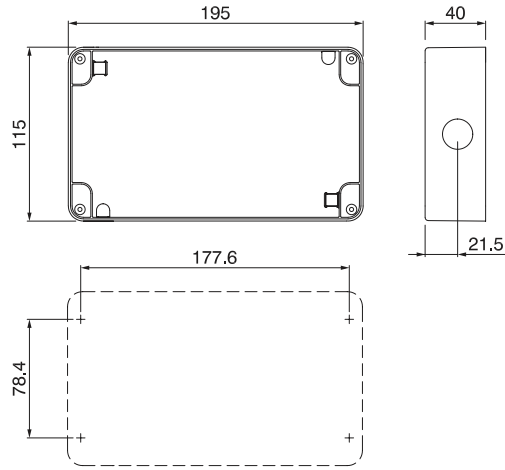


ART. 137.124

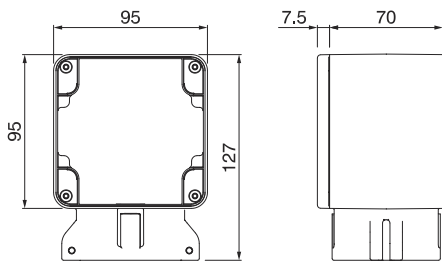


(Dimensions in mm)

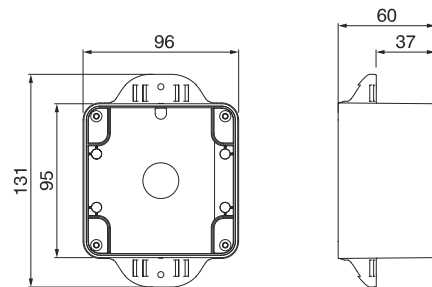
ART. 137.104



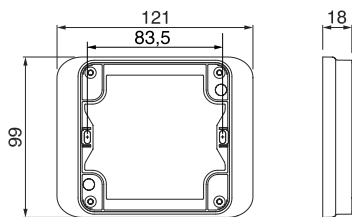
ART. 137.131



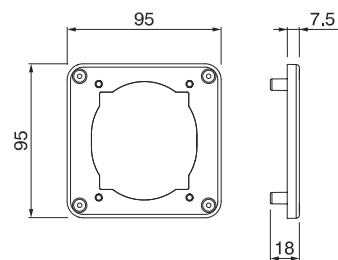
ART. 137.141



ART. 137.125



ART. 137.151





ZP00663-GB-7



Click&Go



www.scame.com/en / prodotto/en/protecca.asp

- SCAME**^{ARGENTINA}
Argentina
- SCAME**^{BRAZIL}
Brazil
- SCAME**^{BULGARIA}
Bulgaria
- SCAME**^{CHILE}
Chile
- SCAME**^{CHINA}
China
- SCAME**^{CROATIA}
Croatia
- SCAME**^{CZECH REPUBLIC}
Czech Republic
- SOBEM**^{FRANCE}
France
- SCAME**^{INDIA}
India
- SCAME**^{POLSKA}
Poland
- SCAME**^{PORTUGAL}
Portugal
- SCAME**^{ROMANIA}
Romania
- SCAME**^{SLOVAKIA}
Slovakia
- SCAME**^{IBERICA}
Spain
- SCAME**^{EMIRATES}
U.A.E.
- SCAME**^{UK}
United Kingdom
- SCAME**^{UY}
Uruguay
- SCAME**^{UA}
Ukraine



ScameOnLine
www.scame.com
export@scame.com

SCAME PARRE S.p.A.
VIA COSTA ERTA, 15
24020 PARRE (BG) ITALY
TEL. +39 035 705000
FAX +39 035 703122

