



PROTECTA Series

IP66 weatherproof switches & sockets
to safeguard home and family

PROTECTA Series

> CONTROL DEVICE



> REFERENCE STANDARDS

EN 60669-1
Switches for household and similar fixed-electrical installation.
Part 1: general requirements.

> VERSIONS

	One way switch single pole - flush mounting - surface mounting
	Two way switch single pole - flush mounting - surface mounting
	Double pole switch - flush mounting - surface mounting
	Bell push switch single pole - flush mounting - surface mounting

> TECHNICAL CHARACTERISTICS

Rated current:	10A-10AX-20A-20AX
Rated voltage:	250V~
Frequency:	50Hz
Insulating voltage:	250V~
Protection degree:	IP66
Operating temperature:	-20°C +60°C
Cabling capacity of the terminal:	3x2,5mm² 3x4mm² 3x6mm²
Glow Wire test:	850°C
Halogen free:	Yes
Material:	Engineering plastic
Cable inlets:	Top, bottom and sides M20
Colour:	Grey RAL 7035

> BEHAVIOUR WITH CHEMICAL AND ATMOSPHERIC AGENTS

Saline solution	Acids		Bases		Solvents				Mineral oil	UV rays
	Concentrated	Diluted	Concentrated	Diluted	Hexane	Benzol	Acetone	Alcohol		
Resistant	Limited Resistance	Resistant	Limited Resistance	Resistant	Resistant	Not Resistant	Not Resistant	Resistant	Limited Resistance	Resistant

For specific substances please contact our technical service.

> SWITCH SOCKET OUTLETS



> REFERENCE STANDARDS




BS 1363-2

13A plugs, socket-outlets and adaptors.
Specification for 13A switched and unswitched socket-outlets.

BS 546

Two-pole and earthing-pin plugs, socket-outlets and socket-outlet adaptors for AC (50-60Hz) circuit up to 250V.

> VERSIONS

	Single switchsocket 13A - flush mounting - surface mounting
	Single switchsocket 15A - flush mounting - surface mounting
	Double switchsocket 13A - flush mounting - surface mounting

> TECHNICAL CHARACTERISTICS

Rated current:	13A-15A
Rated voltage:	250V~
Frequency:	50Hz
Insulating voltage:	250V~
Protection degree:	IP66
Operating temperature:	-5°C+60°C
Installation temperature:	-20°C +60°C
Cabling capacity of the terminal:	3x2,5mm² 3x4mm² 3x6mm²
Glow Wire test:	850°C
Halogen free:	Yes
Material:	Engineering plastic
Cable inlets:	Top, bottom and sides M20
Colour:	Base: grey RAL 7035 Cover: tinted polycarbonate

> BEHAVIOUR WITH CHEMICAL AND ATMOSPHERIC AGENTS

Saline solution	Acids		Bases		Solvents				Mineral oil	UV rays
	Concentrated	Diluted	Concentrated	Diluted	Hexane	Benzol	Acetone	Alcohol		
Resistant	Limited Resistance	Resistant	Limited Resistance	Resistant	Resistant	Not Resistant	Not Resistant	Resistant	Limited Resistance	Resistant

For specific substances please contact our technical service.

PROTECTA Series

> SOCKET OUTLETS



> REFERENCE STANDARDS

CEI-EN 60670-1 (2005-10)

Boxes and enclosures for electrical accessories for household and similar fixed electrical installations.
Part 1: general requirements.

> TECHNICAL CHARACTERISTICS

Rated current:	10A-13A-15A-16A
Rated voltage:	250V~
Frequency:	50Hz
Insulating voltage:	250V~
Protection degree:	IP66 (*)
Operating temperature:	-5°C+60°C
Installation temperature:	-20°C +60°C
Cabling capacity of the terminal:	10A: 0,75 mmq - 2,5 mmq (according to relevant reference standard) 13A: 2,5 mmq - 6 mmq (british standard) 15A: 2,5 mmq - 6 mmq (british standard) 16A: 1 mmq - 2,5 mmq (according to relevant reference standard)
Glow Wire test:	650°C / 850°C
Halogen free:	Yes
Material:	Engineering plastic
Cable inlets:	Top, bottom and sides M20
Colour:	Base: grey RAL 7035 Cover: tinted polycarbonate

(*) IP66 index of protection with plug inserted ensured with:
- Angled plugs up to 65 mm body length and 14 mm body Ø
- Straight plugs up to 50 mm body length

> AVAILABLE STANDARDS

ITALIAN STANDARD P17/11 - 16A



Shuttered socket
Italian standard
CEI 23-50

ITALIAN STANDARD P30 - 16A



Shuttered socket
Italian standard
CEI 23-50

GERMAN STANDARD - 16A



Shuttered/Unshuttered socket
DIN VDE 0620

FRENCH STANDARD - 16A



Shuttered socket
NFC 61-314

BRITISH STANDARD 13A



Shuttered socket
BS 1363-2

BRITISH STANDARD 15A



Shuttered socket
BS 546

ARGENTINIAN STANDARD 10A



Unshuttered socket
IRAM 2071

NEOZELANDER STANDARD 10A



Unshuttered socket
AS/N25 3112

> BEHAVIOUR WITH CHEMICAL AND ATMOSPHERIC AGENTS

Saline solution	Acids		Bases		Solvents				Mineral oil	UV rays
	Concentrated	Diluted	Concentrated	Diluted	Hexane	Benzol	Acetone	Alcohol		
Resistant	Limited Resistance	Resistant	Limited Resistance	Resistant	Resistant	Not Resistant	Not Resistant	Resistant	Limited Resistance	Resistant

For specific substances please contact our technical service.

> 1ST NUMBER

Protection for people from contact with hazardous parts (see also ADDITIONAL LETTER) and protection of equipment from the entry of solid foreign bodies.

IP	Solid foreign objects	Access to hazardous parts	
0			No protection
1			Protection from solid objects larger than 50mm (eg accidental contact of the hand)
2			Protection from solid objects larger than 12mm (eg the finger of a hand)
3			Protection from solid objects larger than 2.5mm (eg tools, wires)
4			Protection from solid objects larger than 1mm (eg fine tools and small wires)
5			Protection from dust (no harmful deposits)
6			Completely protected from dust

1st figure: Protection against solids. According to standards: **EN60529**

> 2ND NUMBER

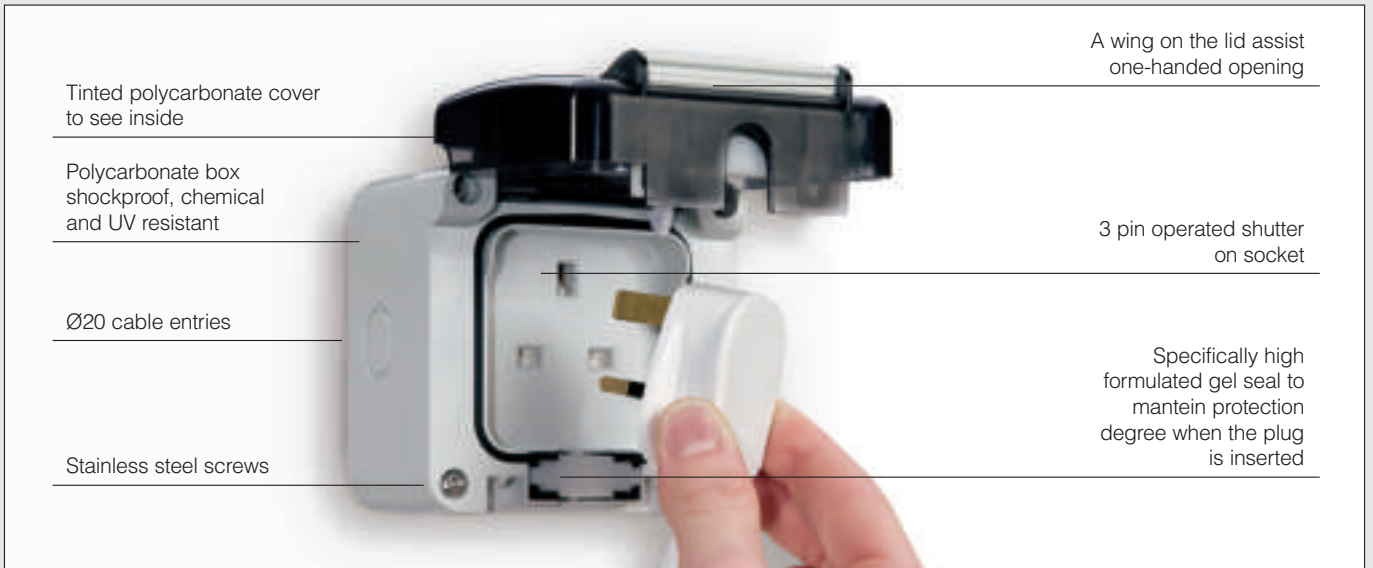
Protection of equipment from water entry.

IP	Tests	
0		No protection
1		Protected from vertically falling water drops
2		Protected from vertically falling water drops at up to 15° from the vertical
3		Protected from vertically falling water drops at up to 60° from the vertical (rain)
4		Protected from splashing water in all directions
5		Protected from jets of water in all directions
6		Protected from jets of water similar to heavy seas
7		Protected from the effects of immersion
8		Protected from the effects of submersion

2nd figure : Protection against liquids. According to standards: **EN60529**

PROTECTA Series

> APPLICATION EXAMPLES



> APPLICATION EXAMPLES



PROTECTA Series

Weatherproof switches and sockets - IP66

> ONE WAY SWITCH - SINGLE POLE - 1 GANG



Description	Size		Flush mounting	Surface mounting
10AX - 250V~	M95 (95x95mm)	1/12	137.3011	137.5011
20AX - 250V~	M95 (95x95mm)	1/12	137.3012	137.5012

- Flush mounting: box not included

> ONE WAY SWITCH - SINGLE POLE - 2 GANG



Description	Size		Flush mounting	Surface mounting
10AX - 250V~	M95 (95x95mm)	1/12	137.3021	137.5021
20AX - 250V~	M95 (95x95mm)	1/12	137.3022	137.5022

- Flush mounting: box not included

> DOUBLE POLE SWITCH - 1 GANG



Description	Size		Flush mounting	Surface mounting
20A - 250V~	M95 (95x95mm)	1/12	137.3462	137.5462

- Flush mounting: box not included

> TWO WAY SWITCH - SINGLE POLE - 1 GANG


Description	Size		Flush mounting	Surface mounting
10AX - 250V~	M95 (95x95mm)	1/12	137.3211	137.5211
20AX - 250V~	M95 (95x95mm)	1/12	137.3212	137.5212

- Flush mounting: box not included

> TWO WAY SWITCH - SINGLE POLE - 2 GANG


Description	Size		Flush mounting	Surface mounting
10AX - 250V~	M95 (95x95mm)	1/12	137.3221	137.5221
20AX - 250V~	M95 (95x95mm)	1/12	137.3222	137.5222

- Flush mounting: box not included

> BELL PUSH SWITCH - SINGLE POLE - 1 GANG


Description	Size		Flush mounting	Surface mounting
10A - 250V~ Marked "BELL"	M95 (95x95mm)	1/12	137.3311B	137.5311B
10A - 250V~ Marked "PRESS"	M95 (95x95mm)	1/12	137.3311P	137.5311P

- Flush mounting: box not included

PROTECTA Series

Weatherproof switches and sockets - IP66

> SWITCH SOCKET OUTLETS

Description	Size		Flush mounting	Surface mounting
13A single - 250V~ D.P. switch with neon	M115 (115x115mm)	1/12	137.4022	137.6022

- Flush mounting: box not included

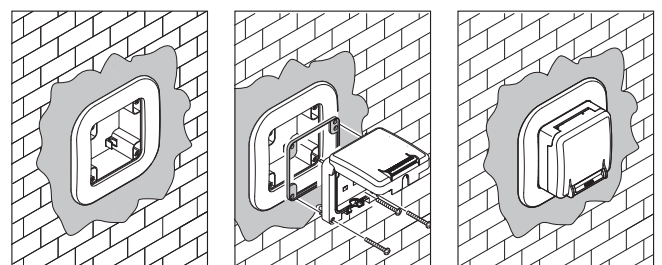
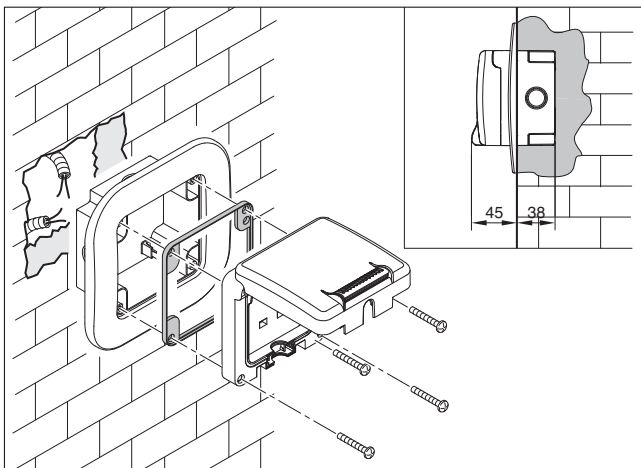
Description	Size		Flush mounting	Surface mounting
15A single - 250V~ S.P. switch	M115 (115x115mm)	1/12	137.4111	137.6111

- Flush mounting: box not included

Description	Size		Flush mounting	Surface mounting
13A double - 250V~ D.P. switch with neon	M195 (195x115mm)	1/12	137.4042	137.6042

- Flush mounting: box not included




> FLUSH MOUNTING






> SOCKET OUTLETS

Description	Size			
			Flush mounting	Surface mounting
13A single unswitched socket	M95 (95x95mm)	1/12	137.4001	137.6001

- Flush mounting: box not included

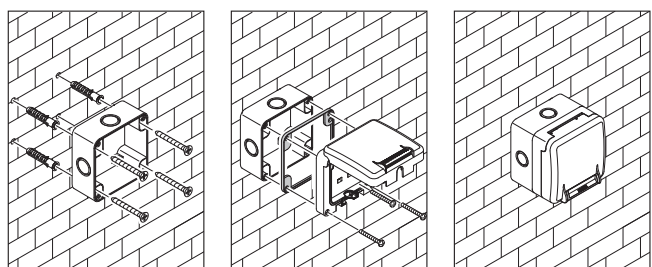
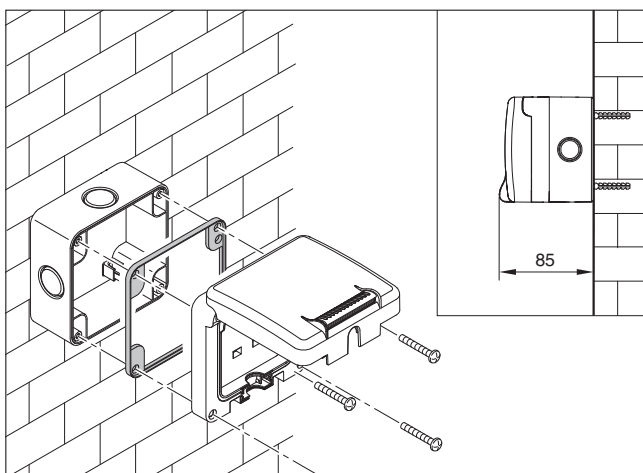
Description	Size			
			Flush mounting	Surface mounting
13A double unswitched socket	M95X2 (195x95mm)	1/12	137.4002	137.6002

- Flush mounting: box included

Description	Size			
			Flush mounting	Surface mounting
13A single unswitched socket + 20A double pole switch	M95x2 (195x95mm)	1/12	137.4003	137.6003

- Flush mounting: box included




> SURFACE MOUNTING






PROTECTA MODULAR Series

Weatherproof switches and sockets - IP66




> SOCKET OUTLETS

Description	Size				
Description	Size			Flush mounting	Surface mounting
16A single - 250V~ Italian Standard P17/11	M95 (95x95mm)	1/12		137.4403	137.6403

- Flush mounting: box not included

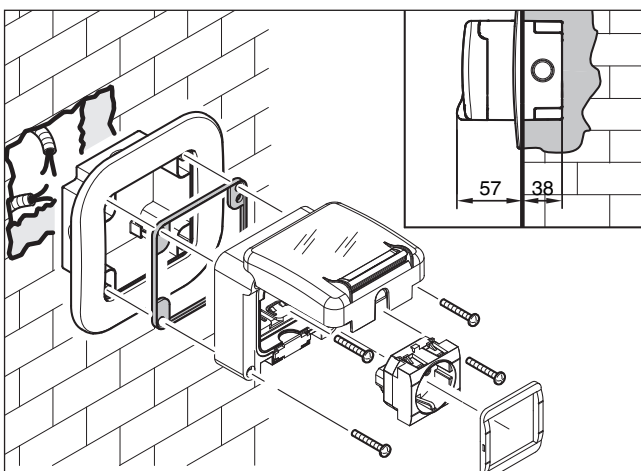
Description	Size				
Description	Size			Flush mounting	Surface mounting
16A single - 250V~ Italian Standard P30	M95 (95x95mm)	1/12		137.4404	137.6404

- Flush mounting: box not included

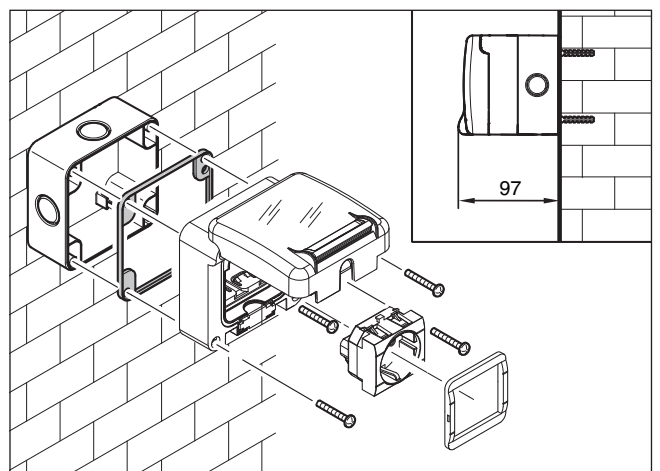
Description	Size				
Description	Size			Flush mounting	Surface mounting
16A single - 250V~ French Standard	M95 (95x95mm)	1/12		137.4411	137.6411





- Flush mounting: box not included

> FLUSH MOUNTING







> SURFACE MOUNTING







Description	Size				
Description	Size			Flush mounting	Surface mounting
16A single - 250V~ German Standard Unshuttered (*)	M95 (95x95mm)	1/12		137.4412	137.6412
16A single - 250V~ German Standard Shuttered	M95 (95x95mm)	1/12		137.4407	137.6407

- Flush mounting: box not included

(*) Product sales subject to restrictions according to National Reference Standards

Description	Size				
Description	Size			Flush mounting	Surface mounting
10A single - 250V~ Argentinian Standard	M95 (95x95mm)	1/12		137.4424	137.6424

- Flush mounting: box not included

Description	Size				
Description	Size			Flush mounting	Surface mounting
10A single - 250V~ Neozelander Standard	M95 (95x95mm)	1/12		137.4427	137.6427

- Flush mounting: box not included

> DATA SOCKET OUTLETS

Description	Size				
Description	Size			Flush mounting	Surface mounting
RJ 45 cat.5e single	M95 (95x95mm)	1/12		137.4481.50	137.6481.50

- Flush mounting: box not included

Weatherproof switches and sockets - IP66

> ENCLOSURES



Description	Size		Flush mounting	Flush mounting
1 gang	M95 (95x95mm)	1/12	137.001	
2 gang	M95 (95x95mm)	1/12		137.002

Accepts inserts SCAME EVOLUTION Series.

> BOXES



Description	Size		Flush mounting	Surface mounting	Flush mounting	Surface mounting
1 gang	M95 (95x95mm)	1/12	137.121	137.101		
2 gang	M95X2 (195x95mm)	1/12			137.122	137.102



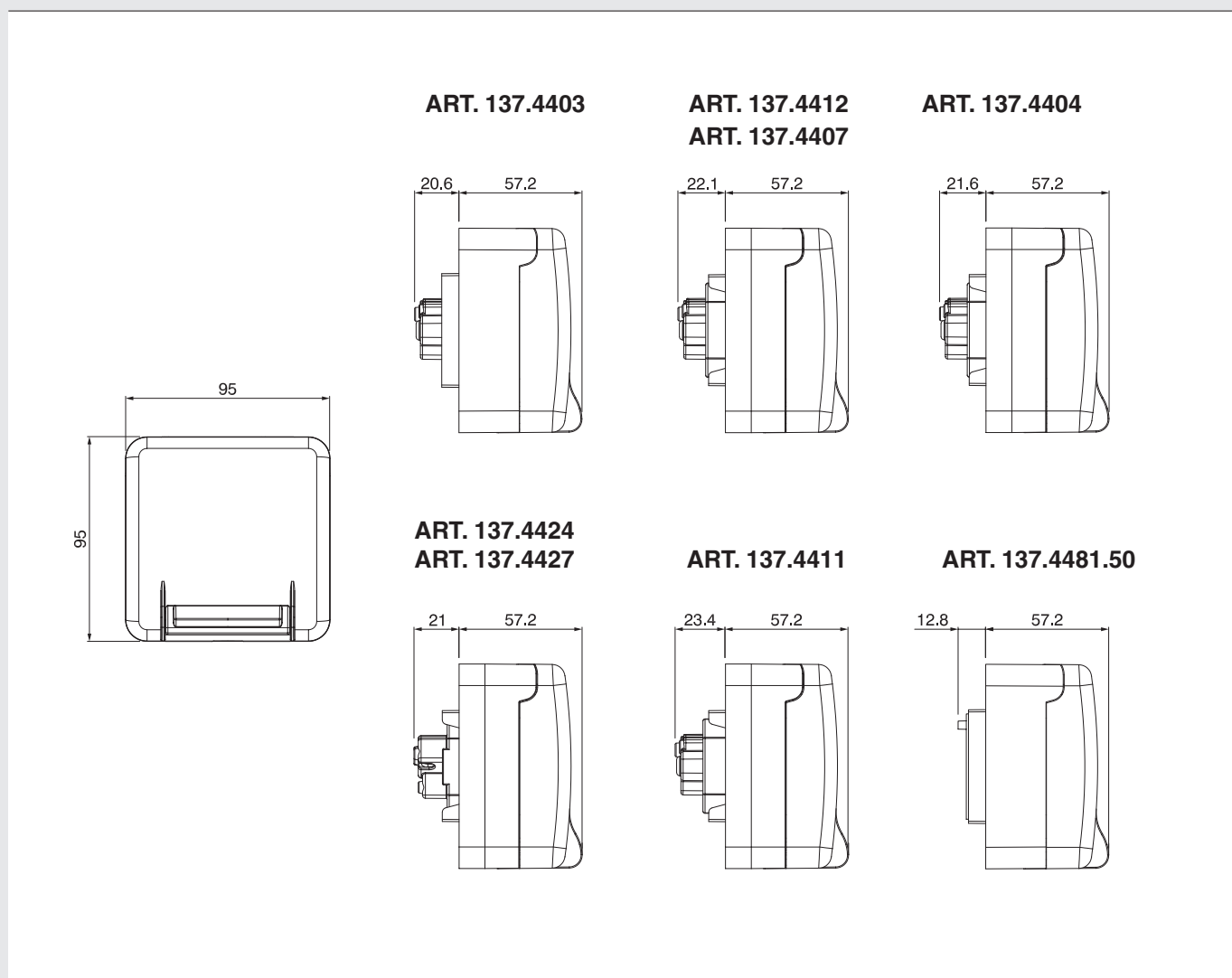
Description	Size		Flush mounting	Surface mounting	Flush mounting	Surface mounting
1 gang	M115 (115x115mm)	1/12	137.123	137.103		
1 gang	M195 (195x115mm)	1/12			137.124	137.104

> ACCESSORIES

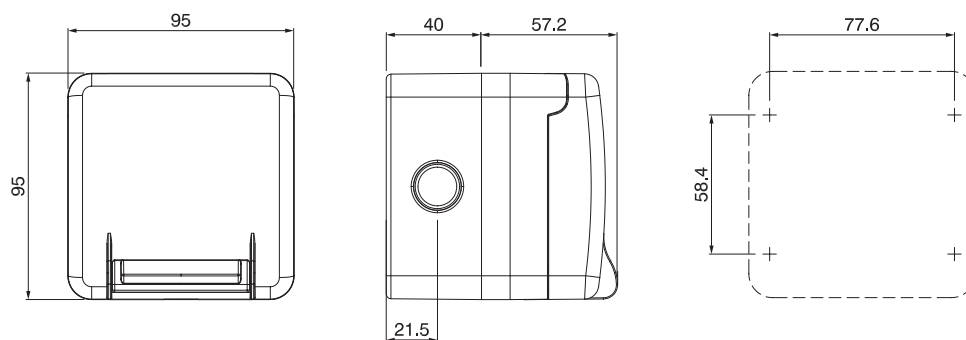


Description			
Led 220V~	10	137.200	
Earth terminal	10		137.201
Special gel seal	10		137.202

> DIMENSIONS



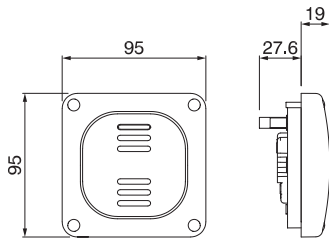
ART. 137.6403 - 137.6404 - 137.6407 - 137.6411 - 137.6412 - 137.6424 - 137.6427 - 137.6481.50



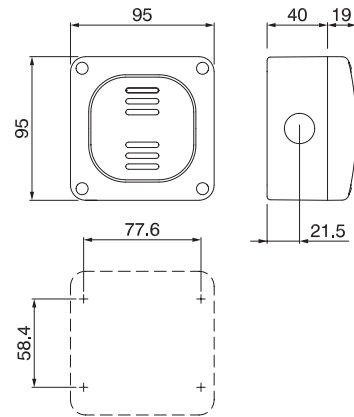
PROTECTA Series

> DIMENSIONS

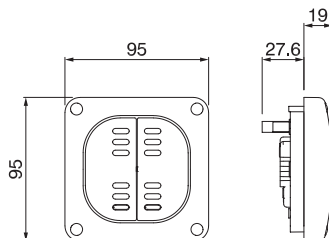
ART. 137.3011 - 137.3012
137.3211 - 137.3212
137.3311B - 137.3311P
137.3462



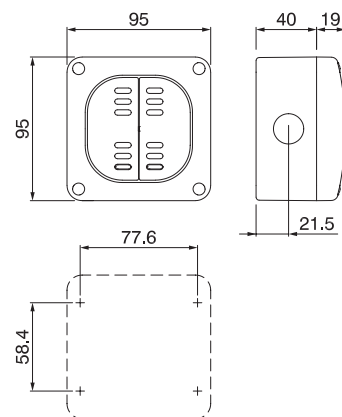
ART. 137.5011 - 137.5012
137.5211 - 137.5212
137.5311B - 137.5311P
137.5462



ART. 137.3021 - 137.3022
137.3221 - 137.3222

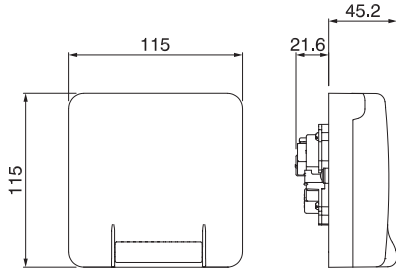


ART. 137.5021 - 137.5022
137.5221 - 137.5222

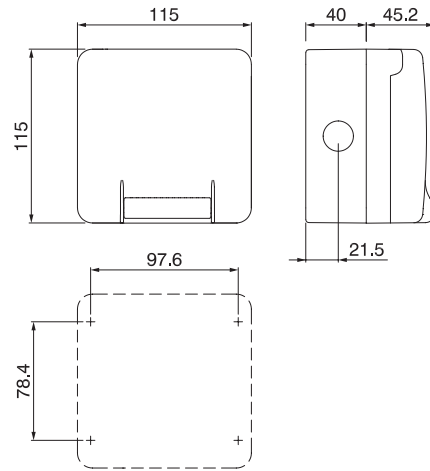


(Dimensions in mm)

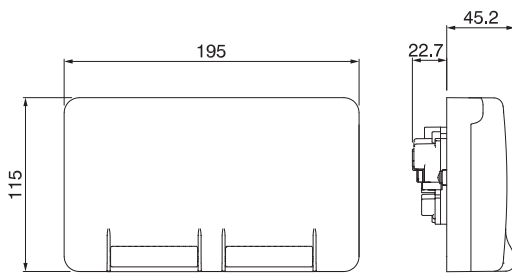
ART. 137.4022 - 137.4111



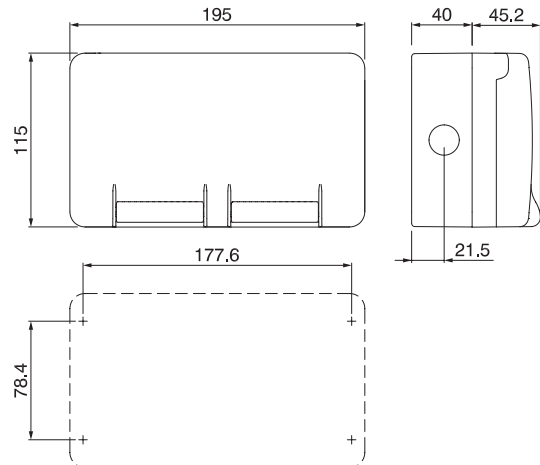
ART. 137.6022 - 137.6111



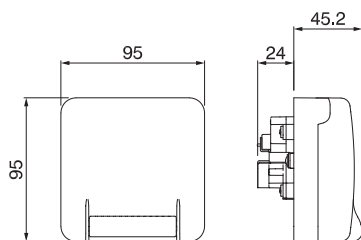
ART. 137.4042



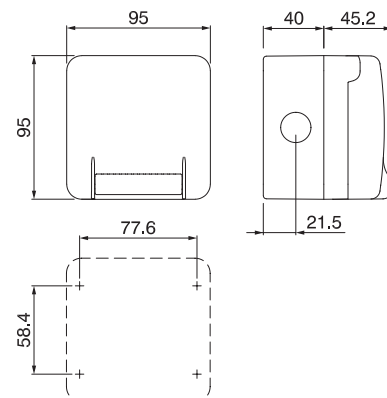
ART. 137.6042



ART. 137.4001



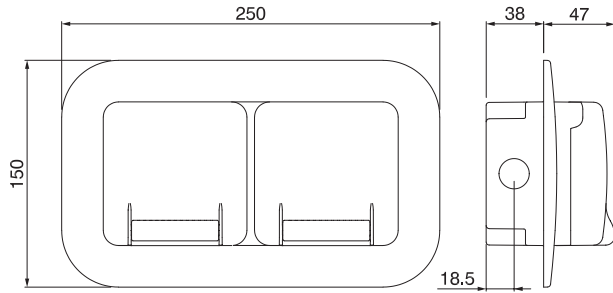
ART. 137.6001



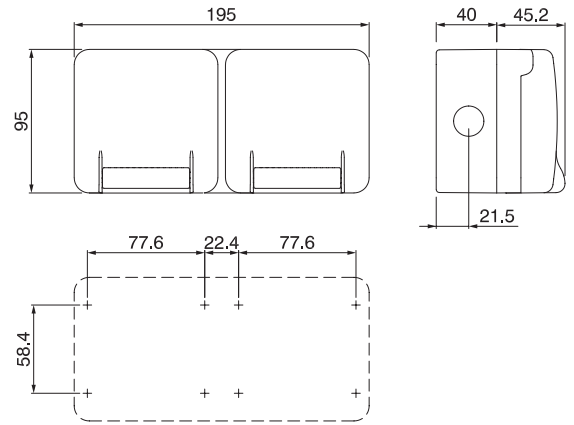
PROTECTA Series

> DIMENSIONS

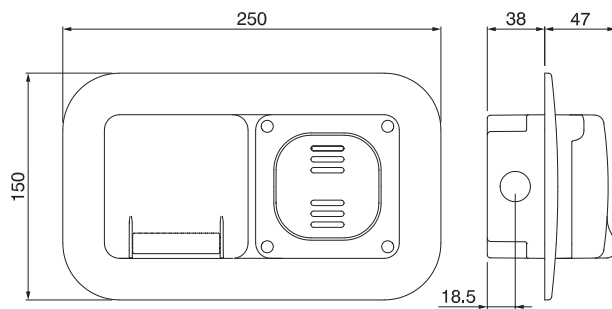
ART. 137.4002



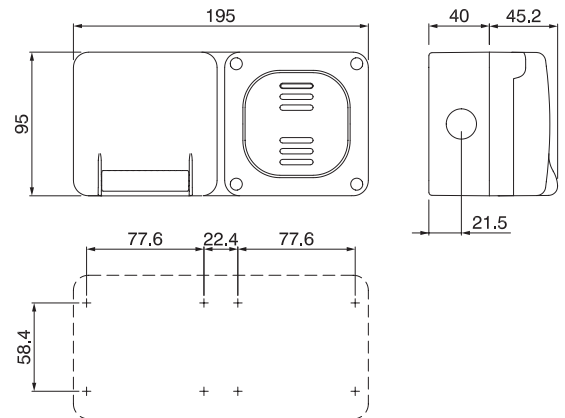
ART. 137.6002



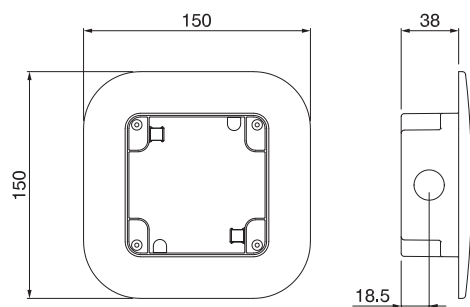
ART. 137.4003



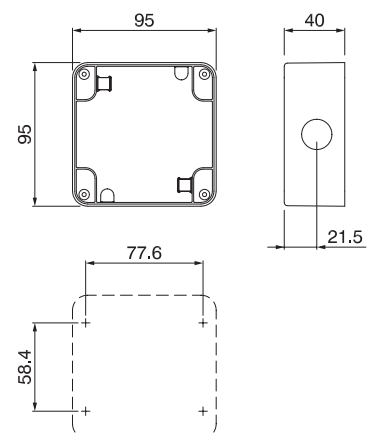
ART. 137.6003



ART. 137.121

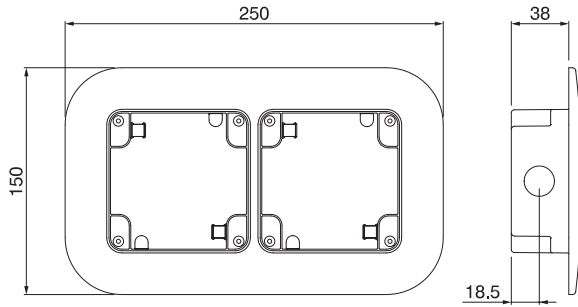


ART. 137.101

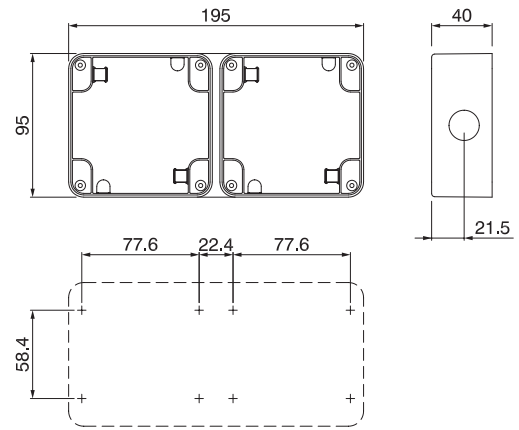


(Dimensions in mm)

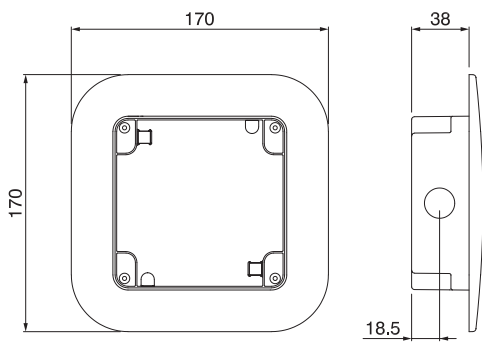
ART. 137.122



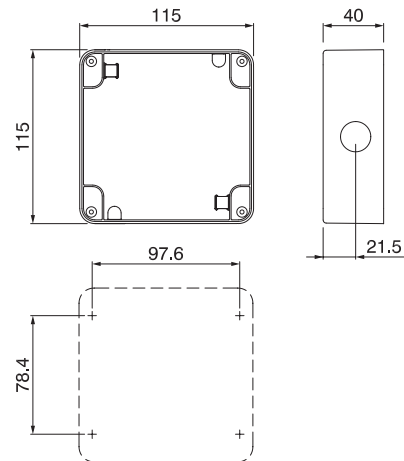
ART. 137.102



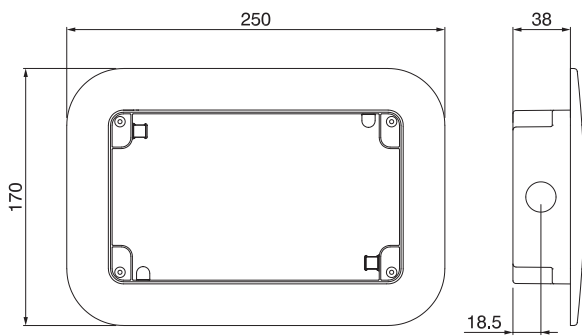
ART. 137.123



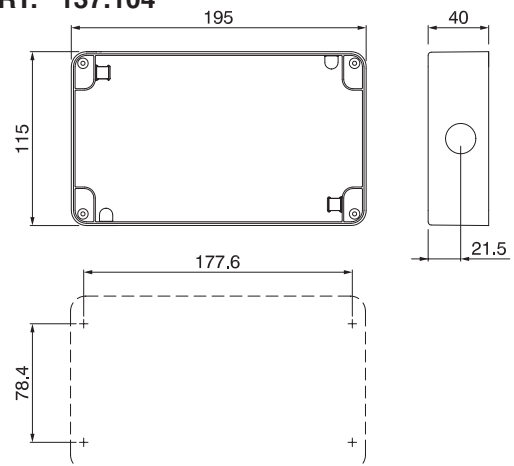
ART. 137.103



ART. 137.124



ART. 137.104



ZP00663-GB-4
8 001636 409306



Skaan Tavan Parto
Tel:+98 021 22890767-22890768
Fax:+98 021 22760056
Email:tavanparto@scame.ir
www.scame.ir

