

 Distribution assemblies



- > MBOX Series
- > MEGA Series
- > DOMINO Series
- > BLOCK Series
- > GOMMA Series
- > TRASFORMER Series
- > MOBIL Series
- > SALVAMOTORE Series



> ENCLOSURES WITH IEC309 SERIES OR EUREKA SERIES CUT-OUTS

DOMINO Series

Module	DIN modules (17,5mm)	Socket outlets	Dimensions h x b x p (mm)	Dissipated power (*)	
M150		2 (●)	150x256x115	18W	1/6
		3 (●)	150x328x115	20W	1/6



Module	DIN modules (17,5mm)	Socket outlets	Dimensions h x b x p (mm)	Dissipated power (*)	
M340	8	2 (■)	340x184x140	14W	1/10
M340	8	1 (◆)	340x184x106	14W	1/10



Module	DIN modules (17,5mm)	Socket outlets	Dimensions h x b x p (mm)	Dissipated power (*)	
M400	12	2 (●)	400x256x140	22W	1/6
		1 (Δ)	400x256x140	22W	1/6
		3 (●)	400x328x140	28W	1/4



Module	DIN modules (17,5mm)	Socket outlets	Dimensions h x b x p (mm)	Dissipated power (*)	
M550	16	6 (●)	550x328x140	28W	1/3



(*) According to CEI 23-49 Italian standard.
 (●) 16A (70x87 mm) or, with suitable adaption, 32A socket (84x106 mm)
 (Δ) 63A (100x110 mm)
 (■) 16A (70x87 mm)
 (◆) 32A (84x106 mm)
 - Accessories: from page 150
 - Terminal blocks: page 160-161

> COMPONENTS

EUREKA Series

COMMAND Series



> COMPONENTS

DOMINO Series

Dimensions (mm)		Base	Cover	Cover
150x328x115	6	674.1000	674.1300	
150x256x115	6	674.1001		674.1301

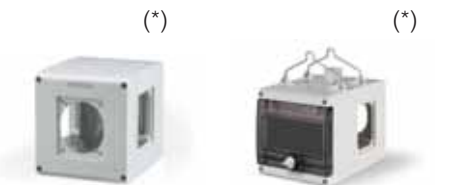


BASE: - Complete with insulating caps for double insulation.
 - With facility DIN rail fixture.
 COVER: - With blank plate and fastening screws for the cover and the socket outlets.
 - Allows for installation of 16A socket (flange 70x87mm) or with suitable adaption, 32A socket (84x106mm).

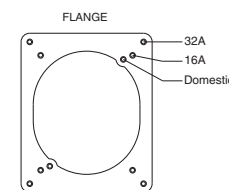
> EMPTY CASING

ADAPTO Series

Description	Installation		
Casing for 4-way adaptors	portable or suspended (PG21)	1/4	623.4500-000
	elevated installation	1/4	625.4500-000
Casing for 3-way adaptors and protection devices (6 DIN)	portable or suspended (PG21)	1/4	623.3500-000
	elevated installation	1/4	625.4500-000



- Protection degree max. IP66 depending on the socket outlets installed.
 - Zinc-plated steel carrying handles.
 - Provided with cable clamp.



(*) Opening suitable for SCAME industrial 16A socket outlets (flange 70x87 mm) 32A socket outlets (flange 84x106 mm) and socket outlets for domestic application (flange 70x87 mm).


LIBERA Series


IEC309 Series


DOMO Series



> DISTRIBUTION ASSEMBLIES WITH IEC309 SERIES OR EUREKA SERIES CUT-OUTS


Description	DIN modules	Socket outlets	Dimensions (mm)	Dissipated power (*)	☐	
BLOCK 1	4	1	110x280x95	8W	1	 632.1500-000
		NO	110x280x95	8W	1	632.1510-000

Description	DIN modules	Socket outlets	Dimensions (mm)	Dissipated power (*)	☐	
BLOCK 3	6	3	136x440x105	9W	1	 632.3500-000
		NO	136x440x105	9W	1	632.3510-000
		4 (2+2)	136x440x105	9W	1	632.3520-000

Description	DIN modules	Socket outlets	Dimensions (mm)	Dissipated power (*)	☐	
BLOCK 3	BLANK	4	136x440x105	9W	1	 632.3501-000
		NO	136x440x105	9W	1	632.3511-000

(*) According to CEI 23-49 italian standard.
 (◆) With YALE look.
 (●) 70x87 mm cut-outs.
 (▲) 50x60 mm cut-outs.
 (■) cut-outs suitable for 32A socket outlets with 84x106 mm flange.
 - Accessories: from page 150.
 - Terminal blocks: page 160-161.



BLOCK Series

Description	DIN modules	Socket outlets	Dimensions (mm)	Dissipated power (*)	☐	
BLOCK 4	10	4	212x415x105	14W	1	 632.4500-000
		4	212x415x105	14W	1 (◆)	632.4700-000
		NO	212x415x105	14W	1	632.4510-000
		NO	212x415x105	14W	1 (◆)	632.4710-000
		5 (2+3)	212x415x105	14W	1	632.4520-000

(*) According to CEI 23-49 italian standard.
 (◆) With YALE look.
 (●) 70x87 mm cut-outs.
 (▲) 50x60 mm cut-outs.
 (■) Cut-outs suitable for 32A socket outlets with 84x106 mm flange.
 - Accessories: from page 150.
 - Terminal blocks: page 160-161.

> EMPTY DISTRIBUTION ASSEMBLIES

MBOX Series

Type	Housing	Power	With door	Dissipated power (*)	☐	Blank plate	With emergency push button	Blank plate	With emergency push button
MBOX2	6 EUREKA sockets	16-32A	NO	29W	1	 656.0026-000	 656.0926-000		
MBOX3	9 EUREKA sockets	16-32A	YES	-	1			657.0038-000	657.0938-000
	9 EUREKA sockets	16-32A	NO	-	1			657.0039-000	657.0939-000

(*) According to CEI 23-49 italian standard.
 - Accessories: from page 150.

> COMPONENTS

EUREKA Series

COMMAND Series

 412. IP44 page 52	 417. IP67 page 54	 242. IP44 page 44	 247. IP67 page 44	 452. IP44 page 53	 457. IP67 page 55	 590. IP67 page 167
--	--	--	--	---	--	---

LIBERA Series

IEC309 Series

DOMO Series

 200. IP44 page 70	 200. IP44 page 70	 430. IP44 page 60	 435. IP67 page 60	 570. IP44 pages 72	 570. IP55 page 437
--	--	--	--	---	---

> ENCLOSURES WITH OMNIA SERIES CUT-OUTS

DOMINO Series



Module	DIN modules (17,5mm)	Socket outlets	Dimensions hxbxp (mm)	Dissipated power (*)		
M150 (#)		2	150x328x115	20W	1/6	672.1200



Module	DIN modules (17,5mm)	Socket outlets	Dimensions hxbxp (mm)	Dissipated power (*)		
M340	8	1	340x184x106	14W	1/10	672.2200



Module	DIN modules (17,5mm)	Socket outlets	Dimensions hxbxp (mm)	Dissipated power (*)		
M400 (●)	12	1	400x256x140	22W	1/6	672.3200
	16	2	400x328x140	28W	1/4	672.4216



Module	DIN modules (17,5mm)	Socket outlets	Dimensions hxbxp (mm)	Dissipated power (*)		
M550 (●)		3	550x328x140	28W	1/3	672.5316 (▲)
		4	550x328x140	28W	1/3	672.5416

(*) According to CEI 23-49 Italian standard - Accessories: from page 150
 (#) Can house OMNIA Series consumer unit art. 572.0120 (page 98). - Terminal blocks: page 160-161
 (●) Connection device to be fixed in the upper side
 (▲) With cutouts to contain 2 OMNIA Series 16A or 32A and 1 OMNIA Series 63A

> COMPONENTS

OMNIA Series Without fuse carrier

OMNIA Series With fuse carrier

ISOLATOR Series

400.



IP44 page 81

405.



IP67 page 81

401.



IP44 page 80

406.



IP67 page 80

590.



IP55 page 171

> COMPONENTS

DOMINO Series



Dimensions (mm)		Base	Cover
150x328x115	6	674.1000	674.1200

BASE: - Complete with insulating caps for double insulation.
 - With facility DIN rail fixture.

COVER: - Allows for installation of 2 OMNIA Series socket outlets.
 - Complete with fastening screws.

2.1 SECTION 2.1
Distribution assemblies

MBOX2 Series



Surface mounting
from page 194



Portable with cable and plug
from page 194

MBOX3 Series



Surface mounting
from page 194



Portable with appliance inlet
from page 194

MBOX5 Series



Surface mounting
from page 204



Transportable with appliance inlet
from page 204

MEGA Series



Transportable
from page 218

DOMINO Series



Surface mounting
from page 221



Portable with cable and plug
from page 220

BLOCK Series



Surface mounting
from page 229



Portable with cable and plug
from page 228

GOMMA Series



Double-side units
page 235



Portable with cable and plug
page 234

DISTRIBUTION ASSEMBLIES FOR SPECIAL APPLICATIONS



MBOX2 Series distribution
assemblies for campsites
page 214



MBOX3 distribution assemblies
for public performance areas
page 214



3-way adaptor
for campsites
page 254



DOMINO Series distribution
assemblies for campsites
page 254

> INDUSTRIAL SOCKETS

MBOX Series

N° Sockets	Type	Output unit										Power supply							
		Industrial sockets						Output Protection				Input protection							
		16A			32A			63A			MCB			RCD	Main switch	Power			
											1P	2P	3P	4P	3P	30mA	SW DISC.	MCB	MAX
															A	A	A	kW (▲)	
6	MBOX2		6												25		16	6	
			4	2											25		16	18	
			3	3											25		16	18	
			6									6			40		32	18	
			4	2								3	1		40		32	18	
			3	3								3	1		40		32	18	
			5	1								3	1		40		32	18	
			9									9				63		63	35
9	MBOX3		5	2	2						5		2		63		63	35	
			3	2	2		1	1			3		2	2	63		63	35	

Distribution ACS

- The protection at the sockets is realized for the most part with MCB switches.
- Available sockets: EUREKA Series.

- The version with terminal block are supplied with wall bracket kit.
- The version with cable and plug are supplied with a cable support kit.
- Versions with "Type A" RCD switch are also available on request.

	Input unit						
	With terminal block			With plug (•)			
	Polarity	IP66	and emergency push button-IP65	Plug		and emergency push button-IP65	
Polarity				A	IP66		
with door	2P+E	656.7026-636	656.7926-636	2P+E	16	656.7126-636	656.7826-636
	3P+N+E	656.7026-637	656.7926-637	3P+N+E	16	656.7126-637	656.7826-637
	3P+N+E	656.7026-638	656.7926-638	3P+N+E	16	656.7126-638	656.7826-638
	3P+N+E	656.7026-639	656.7926-639	3P+N+E	32	656.7126-639	656.7826-639
	3P+N+E	656.7026-640	656.7926-640	3P+N+E	32	656.7126-640	656.7826-640
	3P+N+E	656.7026-641	656.7926-641	3P+N+E	32	656.7126-641	656.7826-641
	3P+N+E	656.7026-642	656.7926-642	3P+N+E	32	656.7126-642	656.7826-642
	X			3P+N+E	63		657.8839-825
	X			3P+N+E	63		657.8839-826
	X			3P+N+E	63		657.8839-827


MBOX2 Series

Version with 6 EUREKA Series industrial sockets and emergency push button - IP65.

Keys

- MCB = Miniature circuit breaker.
- SW DISC. = Switch-disconnector.
- RCD = Residual current device.
- (▲) Power drawable when not in continuous service.

- (•) MBOX2= plug
MBOX3 and MBOX5= inlet



> INTERLOCKED SOCKETS WITH FUSES

MBOX Series

N° Sockets	Type	Output unit										Power supply							
		Interlocked sockets					Output Protection					Input protection							
		16A		32A			63A			MCB					RCD	Main switch		Power	
		2P	2P+E	3P+E	3P+N+E	2P+E	3P+E	3P+N+E	3P+E	3P+N+E	1P	2P	3P	4P	3P	30mA	SW DISC.	MCB	MAX
																A	A	A	kW (▲)
3	MBOX 3		2	1												40		32	15
			1	1			1									63		63	35
			1	1					1							63		63	35
			1						2							63		63	35
			1					2								63		63	35
4	MBOX 2		4													40		32	6
			3	1												40		32	18
			3		1											40		32	18
			3				1*									40		32	18
			2	2												40		32	18
			2	1	1											40		32	18
			2	1			1*									40		32	18
			2	1				1*								40		32	18
			2		2											40		32	18
			2		1		1*									40		32	18
			2		1			1*								40		32	18
			2				2*									40		32	18
			1	2			1*									40		32	18
			1	1	1		1*									40		32	18
			1		2			1*								40		32	18

Distribution ACS

- The protection at the sockets is realized for the most part with fuses.
- Available interlocked sockets: OMNIA Series with fuses (fam. 406).
- These panels are supplied with a fuse-testing device

- The versions with terminal block are supplied with wall bracket kit.
- The versions with cable and plug are supplied with a cable support kit (MBOX2 only).
- Versions with "Type A" RCD switch are also available on request.

with door	Polarity	Input unit					
		With terminal block			With plug (*)		
		IP66	and emergency push button-IP65	Plug	A	IP66	and emergency push button-IP65
x	3P+N+E	657.6033-002	657.6933-002	3P+N+E	32	657.6133-002	657.6833-002
x	3P+N+E	657.6033-004	657.6933-004				
x	3P+N+E	657.6033-077					
x	3P+N+E	657.6033-085					
x	3P+N+E	657.6033-107					
	2P+E	656.5024-113	656.5924-113	2P+E	32	656.5124-113	656.5824-113
	3P+N+E	656.5024-109	656.5924-109	3P+N+E	32	656.5124-109	656.5824-109
				3P+N+E	32		656.5824-457
	3P+N+E	656.5024-092	656.5924-092	3P+N+E	32	656.5124-092	656.5824-092
	3P+N+E	656.5024-008	656.5924-008	3P+N+E	32	656.5124-008	656.5824-008
	3P+N+E	656.5024-056	656.5924-056	3P+N+E	32	656.5124-056	
	3P+N+E	656.5024-006	656.5924-006	3P+N+E	32	656.5124-006	656.5824-006
	3P+N+E	656.5024-253	656.5924-253	3P+N+E	32	656.5124-253	656.5824-253
				3P+N+E	32	656.5124-297	
	3P+N+E	656.5024-610	656.5924-610	3P+N+E	32	656.5124-610	656.5824-610
	3P+N+E	656.5024-273					
	3P+N+E	656.5024-611	656.5924-611	3P+N+E	32	656.5124-611	656.5824-611
	3P+N+E	656.5024-612	656.5924-612	3P+N+E	32	656.5124-612	656.5824-612
	3P+N+E	656.5024-007	656.5924-007	3P+N+E	32	656.5124-007	656.5824-007
	3P+N+E	656.5024-009					
	3P+N+E	656.5024-049	656.5924-049				



MBOX2 Series



MBOX3 Series

Version with interlocked sockets with fuses and emergency push button - IP65.

Keys

- MCB = Miniature circuit breaker.
- SW. DISC. = Switch-disconnector.
- RCD = Residual current device.
- (*) Socket without fuses (already protected by the main switch).
- (▲) Power drawable when not in continuous service.

- (●) MBOX2= plug
- MBOX3 and MBOX5= inlet



> INTERLOCKED SOCKET WITH FUSES

MBOX Series

N° Sockets	Type	Output unit										Power supply							
		Interlocked sockets					Output Protection					Input protection							
		16A		32A			63A			MCB					RCD	Main switch		Power	
		2P	2P+E	3P+E	3P+N+E	2P+E	3P+E	3P+N+E	3P+E	3P+N+E	1P	2P	3P	4P	3P	30mA	SW. DISC.	MCB	MAX
																A	A	A	kW (▲)
4	MBOX 3		2	1			1									63		63	35
			1	2			1									63		63	35
			2	2												40		32	18
			3				1									63		63	27
			2				1		1*							63		63	35
			1	1			1		1*							63		63	35
			1		2			1								63		63	35
			2	1	1											63		63	35
			3				1									63		63	27
			3	1												40		32	18
			4													40		32	6
			1	1				1		1*						63		63	35
			2	1				1								63		63	35
			2		1			1								63		63	35
			2		2											40		32	18
	2	2				1								63		63	35		
5	MBOX 3		3	1			1								63		63	35	
			2	1	1		1								63		63	35	
			4				1								40		32	6	
			2	2				1							63		63	35	
			2		2				1						63		63	35	

	with door	Input unit					
		With terminal block			With plug (•)		
		Polarity	IP66	and emergency push button-IP65	Plug		and emergency push button-IP65
Polarity	A						
x	3P+N+E	657.6034-006	657.6934-006	3P+N+E	63	657.6134-006	657.6834-006
x	3P+N+E	657.6034-007	657.6934-007				
x	3P+N+E	657.6034-008	657.6934-008	3P+N+E	63	657.6134-008	657.6834-008
x	3P+N+E	657.6034-010		3P+N+E	32		657.6834-010
	3P+N+E	657.5034-030					
	3P+N+E	657.5034-031					
x	3P+N+E	657.6034-049	657.6934-049				
x	3P+N+E	657.6034-056	657.6934-056	3P+N+E	63	657.6134-056	657.6834-056
x		657.6034-092	657.6934-092				
x	3P+N+E	657.6034-109	657.6934-109	3P+N+E	32	657.6134-109	657.6834-109
	2P+E	657.6034-113	657.6934-113	2P+E	32	657.6134-113	657.6834-113
x	3P+N+E	657.5034-156					
x	3P+N+E		657.6934-253				
x	3P+N+E	657.6034-273					
x	3P+N+E			3P+N+E	32	657.6134-297	
x	3P+N+E	657.6035-011	657.6935-011	3P+N+E	32	657.6135-011	657.6835-011
x	3P+N+E	657.6035-012	657.6935-012	3P+N+E	63	657.6135-012	657.6835-012
x	3P+N+E	657.6035-013	657.6935-013	3P+N+E	63	657.6135-013	657.6835-013
x	3P+N+E	657.6035-015	657.6935-015	3P+N+E	63	657.6135-015	657.6835-015
x	2P+E	657.6035-065	657.6935-065	2P+E			
x	3P+N+E	657.6035-087	657.6935-087	3P+N+E	63	657.6135-087	657.6835-087
x					63	657.6135-102	657.6835-102



MBOX3 Series
Version with interlocked sockets with fuses and emergency push button - IP66.

Distribution ACS

- The protection at the sockets is realized for the most part with fuses.
- Available interlocked sockets: OMNIA Series with fuses (fam. 406).
- These panels are supplied with a fuse-testing device.

- The versions with terminal block are supplied with wall bracket kit.
- Versions with "Type A" RCD switch are also available on request.

Keys

- MCB = Miniature circuit breaker.
- SW. DISC.= Switch-disconnector.
- RCD = Residual current device.
- (*) Socket without fuses (already protected by the main switch).
- (▲) Power drawable when not in continuous service.

- (•) MBOX2= plug
- MBOX3 and MBOX5= inlet



> INTERLOCKED SOCKET WITH FUSES

MBOX Series

N° Sockets	Type	Output unit										Power supply										
		Interlocked sockets						Output Protection				Input protection										
		16A			32A			63A			MCB				RCD	Main switch		Power				
		2P	2P+E	3P+E	3P+N+E	2P+E	3P+E	3P+N+E	3P+E	3P+N+E	1P	2P	3P	4P	3P	30mA	SW. DISC.	MCB	MAX			
																A	A	A	kW (▲)			
5	MBOX 3		3		1		1								63		63				35	
			3	1				1								63		63				35
			2	1	1			1								63		63				35
			2	1			1		1*							63		63				35
			2	1			1						63A			100		100				55
			1	2			1		1*							63		63				35
			1	2			1						63A			100		100				55
			2	1			2									63		63				35
			1	1				3								63		63				35
			3				2									63		63				35
			2				3									63		63				35
			3		1		1									63		63				35
			5													63		63				15
							2	3								63		63				35
		2	1		1	1								63		63				35		
		2	1		1	1*								63		63				35		
6	MBOX 3		2	2		2*									40		32				18	
			2		2		2*								40		32				18	
			3	2		1*									40		32				18	

Distribution ACS

- The protection at the sockets is realized for the most part with fuses.
- Available interlocked sockets: OMNIA Series with fuses (fam. 406).
- These panels are supplied with a fuse-testing device.

- The versions with terminal block are supplied with wall bracket kit.
- Versions with "Type A" RCD switch are also available on request.

with door	Input unit					
	With terminal block			With plug (•)		
	Polarity	IP66	and emergency push button-IP65	Plug		and emergency push button-IP65
Polarity				A		
x	3P+N+E	657.6035-129	657.6935-129			
x	3P+N+E	657.6035-213	657.6935-213	3P+N+E	63	657.6135-213 657.6835-213
x				3P+N+E	63	657.6135-274
	3P+N+E	657.5035-017	657.5935-017	3P+N+E	63	657.5135-017 657.5835-017
	3P+N+E	657.5035-038	657.5935-038			
	3P+N+E	657.5035-018	657.5935-018			
	3P+N+E	657.5035-039				
x	3P+N+E	657.6035-019				
x	3P+N+E	657.6035-050	657.6935-050			
x	3P+N+E	657.6035-055				
x	3P+N+E	657.6035-061				
x	3P+N+E	657.6035-075	657.6935-075	3P+N+E	63	657.6135-075
x	2P+E	657.6035-097				
x	3P+N+E	657.6035-099				
x	3P+N+E		657.6935-225			
	3P+N+E	657.5035-242				
x	3P+N+E	657.6036-029	657.6936-029	3P+N+E	32	657.6136-029 657.6836-029
x	3P+N+E	657.6036-042	657.6936-042	3P+N+E	32	657.6136-042 657.6836-042
x	3P+N+E	657.6036-044	657.6936-044	3P+N+E	32	657.6136-044 657.6836-044



MBOX3 Series

Version with interlocked sockets with fuses and emergency push button - IP66.

Keys

- MCB = Miniature circuit breaker.
- SW. DISC.= Switch-disconnector.
- RCD = Residual current device.
- (*) Socket without fuses (already protected by the main switch).
- (▲) Power drawable when not in continuous service.

- (•) MBOX2= plug MBOX3 and MBOX5= inlet



> INTERLOCKED SOCKET WITH FUSES

MBOX Series

N° Sockets	Type	Output unit										Power supply							
		Interlocked sockets						Output Protection				Input protection							
		16A		32A		63A		MCB				RCD	Main switch		Power				
											1P	2P	3P	4P	3P	30mA	SW. DISC.	MCB	MAX
															A	A	A	kW (▲)	
		2	2			1*	1*								40		32	18	
		2	2	1		1*									40		32	18	
		6													40		32	6	
		3	1			1*	1*								40		32	18	
		4	2												40		32	18	
		4				2*									40		32	18	
		4		2											40		32	18	
		2	3			1									63		63	35	
		3	2			1									63		63	35	
		2	2	1		1									63		63	35	
		2	3				1								63		63	35	
		2	4												63		63	35	
		4	1			1									63		63	35	
		2	2			2									63		63	35	
		2		2			2								63		63	35	
		1	2	2		1									63		63	35	
		2	1			2	1								63		63	35	
		3	3												63		63	35	
		4		1			1*								40		32	18	
		3		2			1								63		63	35	
		2	1				3								63		63	35	
		3	1			2									63		63	35	

Distribution ACS

- The protection at the sockets is realized for the most part with fuses.
- Available interlocked sockets: OMNIA Series with fuses (fam. 406).
- These panels are supplied with a fuse-testing device.

- The versions with terminal block are supplied with wall bracket kit.
- Versions with "Type A" RCD switch are also available on request.

with door	Input unit						
	With terminal block			With plug (•)			
	Polarity	IP66	and emergency push button-IP65	Plug		IP66	and emergency push button-IP65
Polarity				A			
x	3P+N+E	657.6036-045	657.6936-045	3P+N+E	32	657.6136-045	657.6836-045
x	3P+N+E	657.6036-046	657.6936-046	3P+N+E	32	657.6136-046	657.6836-046
x	2P+E	657.6036-057	657.6936-057	2P+E	32	657.6136-057	657.6836-057
x	3P+N+E	657.6036-062					
x	3P+N+E	657.6036-067	657.6936-067	3P+N+E	32	657.6136-067	657.6836-067
x	3P+N+E	657.6036-112					
x	3P+N+E	657.6036-133	657.6936-133	3P+N+E	32	657.6136-133	657.6836-133
x	3P+N+E	657.6036-021	657.6936-021	3P+N+E	63	657.6136-021	657.6836-021
x	3P+N+E	657.6036-022	657.6936-022	3P+N+E	63	657.6136-022	657.6836-022
x	3P+N+E	657.6036-023	657.6936-023	3P+N+E	63	657.6136-023	657.6836-023
x	3P+N+E	657.6036-024	657.6936-024	3P+N+E	63	657.6136-024	657.6836-024
x	3P+N+E	657.6036-127					
x	3P+N+E	657.6036-025	657.6936-025				
x	3P+N+E	657.6036-026	657.6936-026	3P+N+E	63	657.6136-026	657.6836-026
x	3P+N+E	657.6036-027	657.6936-027	3P+N+E	63	657.6136-027	657.6836-027
x	3P+N+E	657.6036-037					
x	3P+N+E	657.6036-048	657.6936-048	3P+N+E	63	657.6136-048	657.6836-048
x	3P+N+E	657.6036-091					
x	3P+N+E			3P+N+E	32	657.6136-100	
x	3P+N+E	657.6036-101	657.6936-101	3P+N+E	63	657.6136-101	
x	3P+N+E		657.6936-150				
x	3P+N+E	657.6036-294					


MBOX3 Series

Version with interlocked sockets with fuses and emergency push button - IP65.

Keys

- MCB = Miniature circuit breaker.
- SW. DISC.= Switch-disconnector.
- RCD = Residual current device.
- (*) Socket without fuses (already protected by the main switch).
- (▲) Power drawable when not in continuous service.

- (•) MBOX2= plug
MBOX3 and MBOX5= inlet



> INTERLOCKED SOCKET WITH FUSES

MBOX Series

N° Sockets	Type	Output unit										Power supply									
		Interlocked sockets						Output Protection				Input protection									
		16A			32A			63A				MCB			RCD	Main switch	Power				
6	MBOX 5																				
		2	1				1		2												
							1		2												
		2	1	1				1		1											
		3						2		1											
7	MBOX 5	2	2				2		1*												
		2		1				2		2											
8	MBOX 5	3	3				1		1												
		3	3				1		1												
		3	3				1		1*												
		3	3					1	1*												
		2	2				2	1		1											
		3	2				1	1	1												
		3		2				2		1											
		3	3				1			1											
		2		4			2														
		2	4					2													
		3	3				1	1													
		3	2						2	1											
		4	3						1												
		2	2				2	1	1												
4	3						1														

with door	Polarity	Input unit					
		With terminal block			With plug (•)		
		IP66	and emergency push button-IP65	Plug	A	IP66	and emergency push button-IP65
x	3P+N+E	658.6056-058	658.6956-058				
x	3P+N+E	658.6056-064	658.6956-064	3P+N+E	63	658.6156-064	658.6856-064
x	3P+N+E	658.6056-131					
x	3P+N+E	658.6056-138	658.6956-138	3P+N+E	125	658.6156-138	658.6856-138
x	3P+N+E		658.6956-216				
x	3P+N+E	658.6057-103					
x	3P+N+E	658.6057-105					
x	3P+N+E	658.6058-034	658.6958-034	3P+N+E	125	658.6158-034	658.6858-034
x	3P+N+E	658.6058-040	658.6958-040	3P+N+E	125	658.6158-040	658.6858-040
x	3P+N+E	658.6058-068	658.6958-068	3P+N+E	63	658.6158-068	658.6858-068
x	3P+N+E	658.6058-072	658.6958-072	3P+N+E	63	658.6158-072	658.6858-072
x	3P+N+E	658.6058-078					
x	3P+N+E	658.6058-086	658.6958-086	3P+N+E	125	658.6158-086	658.6858-086
x	3P+N+E	658.6058-088	658.6958-088	3P+N+E	125	658.6158-088	658.6858-088
x	3P+N+E	658.6058-090	658.6958-090	3P+N+E	125	658.6158-090	658.6858-090
x	3P+N+E		658.6958-094				
x	3P+N+E	658.6058-111	658.6958-111	3P+N+E	63	658.6158-111	658.6858-111
x	3P+N+E	658.6058-114	658.6958-114	3P+N+E	63	658.6158-114	658.6858-114
x	3P+N+E	658.6058-135					
x	3P+N+E	658.6058-140					
x	3P+N+E	658.6058-173					
x	3P+N+E	658.6058-196					


MBOX5 Series

Version with interlocked sockets with fuses, without emergency push button - IP66.

Distribution ACS

- The protection at the sockets is realized for the most part with fuses.
- Available interlocked sockets: OMNIA Series with fuses (fam. 406), ADVANCE 2 Series with fuses (fam. 563).
- These panels are supplied with a fuse-testing device.

- The versions with terminal block are supplied with wall bracket kit.
- Versions with "Type A" RCD switch are also available on request.

Keys

- MCB = Miniature circuit breaker.
- SW. DISC. = Switch-disconnector.
- RCD = Residual current device.
- (*) Socket without fuses (already protected by the main switch).
- (▲) Power drawable when not in continuous service.

- (•) MBOX2= plug
MBOX3 and MBOX5= inlet



> INTERLOCKED SOCKET WITH FUSES

MBOX Series

N° Sockets	Type	Output unit										Power supply							
		Interlocked sockets						Output Protection				Input protection							
		16A			32A			63A			MCB				RCD	Main switch		Power	
											1P	2P	3P	4P	3P	30mA A	SW. DISC. A	MCB A	MAX kW (▲)
9	MBOX 5	4	2	1		1		1*							2x63		63	35	
		4	2	1		1		1							3x63		100	55	
		4		3			1		1*						2x63		63	35	
		4		3			1		1						3x63		100	55	
		4	2	1			1		1						3x63		100	55	
		3	3					2		1						100		100	55
10	MBOX 5	6	3			1									1x40 3x63		63	35	
		8				1	1								2x63		63	35	
		4	4			2									2x63		63	35	
		6	2	1		1									1x40 3x63		63	35	
		4	3	1			2								100		100	55	

	with door	Input unit					
		With terminal block			With plug (•)		
		Polarity	IP66	and emergency push button-IP65	Plug		and emergency push button-IP65
						Polarity	
x	3P+N+E	658.6059-033	658.6959-033	3P+N+E	63	658.6156-033	658.6859-033
x	3P+N+E	658.6059-041	658.6959-041				
x	3P+N+E	658.6059-043	658.6959-043	3P+N+E	53	658.6159-043	658.6859-043
x	3P+N+E	658.6059-052	658.6959-052	3P+N+E	125	658.6159-052	658.6859-052
x	3P+N+E	658.6059-160	658.6959-160	3P+N+E	125	658.6159-160	658.6859-160
x	3P+N+E	658.6059-229	658.6959-229	3P+N+E	125	658.6159-229	658.6859-229
x	3P+N+E	658.6050-035					
x	3P+N+E	658.6050-066					
x	3P+N+E	658.6050-108	658.6950-108				
x	3P+N+E	658.6050-157					
x	3P+N+E	658.6050-255					



MBOX5 Series

Version with interlocked sockets with fuses, without emergency push button - IP66.

Distribution ACS

- The protection at the sockets is realized for the most part with fuses.
- Available interlocked sockets: OMNIA Series with fuses (fam. 406), ADVANCE 2 Series with fuses (fam. 563).
- These panels are supplied with a fuse-testing device.

- The versions with terminal block are supplied with wall bracket kit.
- Versions with "Type A" RCD switch are also available on request.

Keys

- MCB = Miniature circuit breaker.
- SW. DISC.= Switch-disconnector.
- RCD = Residual current device.
- (*) Socket without fuses (already protected by the main switch).
- (▲) Power drawable when not in continuous service.

- (•) MBOX2= plug
MBOX3 and MBOX5= inlet



> INTERLOCKED SOCKETS WITHOUT FUSE

MBOX Series

N° Sockets	Type	Output unit										Power supply								
		Interlocked sockets					Output Protection					Input protection								
		16A		32A			63A			MCB				RCD	Main switch		Power			
		2P	2P+E	23P+E	3P+N+E	2P+E	3P+E	3P+N+E	3P+E	3P+N+E	1P	2P	3P	4P	3P	30mA	SW. DISC.	MCB	MAX	
																A	A	A	kW (▲)	
3	MBOX 3		2	1							2		1			40		32	15	
4	MBOX 2		4													25		16	3	
			4									4					40		32	6
			4														25		16	9
			3	1								3		1			40		32	18
			3		1							3		1			40		32	18
			3				1					3					40		32	18
			2	2								2		2			40		32	18
			2	1	1							2		2			40		32	18
			2	1			1					2		1			40		32	18
			2	1				1				2		1			40		32	18
			2		2							2		2			40		32	18
			2		1		1					2		1			40		32	18
			2		1			1				2		1			40		32	18
			2				1	1				2					40		32	18
			2				2					2					40		32	18
			1	2			1					1		1			40		32	18
			1	1	1		1					1		2			40		32	18
			1		2			1				1		1			40		32	18
4	MBOX 3		4								4					25		16	9	
			2	1							2		1		1	63		63	32	
			2	2							2		2			40		32	18	
			4								4					40		32	6	
			3	1							3		1			40		332	18	

Distribution ACS

- The protection at the sockets is realized for the most part with MCB switches.
- Available interlocked sockets: OMNIA Series without fuses (fam. 405).
- The version with terminal block are supplied with wall bracket kit.
- The version with cable and plug are supplied with a cable support kit (MBOX2 only).
- Versions with "Type A" RCD switch are also available on request.

with door	Input unit						
	With terminal block			With plug (•)			
	Polarity	IP66	and emergency push button-IP65	Plug		IP66	and emergency push button-IP65
			Polarity	A			
x	3P+N+E	657.8033-002	657.8933-002	3P+N+E	32	657.8133-002	657.8833-002
	2P+E	656.7024-054	656.7924-054	2P+E	16	656.7124-054	656.7824-054
	2P+E	656.7024-113	656.7924-113	2P+E	32	656.7124-113	656.7824-113
	3P+N+E	656.7024-005	656.7924-005	3P+N+E	16	656.7124-005	656.7824-005
	3P+N+E	656.7024-109	656.7924-109	3P+N+E	32	656.7124-109	656.7824-109
				3P+N+E	32		656.7824-457
	3P+N+E	656.7024-092	656.7924-092	3P+N+E	32	656.7124-092	656.7824-092
	3P+N+E	656.7024-008	656.7924-008	3P+N+E	32	656.7124-008	656.7824-008
	3P+N+E	656.7024-056	656.7924-056	3P+N+E	32	656.7124-056	
	3P+N+E	656.7024-006	656.7924-006	3P+N+E	32	656.7124-006	656.7824-006
	3P+N+E	656.7024-253	656.7924-253	3P+N+E	32	656.7124-253	656.7824-253
				3P+N+E	32	656.7124-297	
	3P+N+E	656.7024-610	656.7924-610	3P+N+E	32	656.7124-610	656.7824-610
	3P+N+E	656.7024-273					
	3P+N+E	656.7024-611	656.7924-611	3P+N+E	32	656.7124-611	656.7824-611
	3P+N+E	656.7024-612	656.7924-612	3P+N+E	32	656.7124-612	656.7824-612
	3P+N+E	656.7024-007	656.7924-007	3P+N+E	32	656.7124-007	656.7824-007
	3P+N+E	656.7024-009					
x	3P+N+E	657.8034-005	657.8934-005	3P+N+E	16	657.8134-005	657.8834-005
x	3P+N+E	657.8034-006	657.8934-006	3P+N+E	32	657.8134-006	657.8834-006
x	3P+N+E	657.8034-008	657.8934-008	3P+N+E	18	657.8134-008	657.8834-008
x	2P+E	657.8034-054	657.8934-054	2P+E	32	657.8134-054	657.8834-054
x	3P+N+E	657.8034-109	657.8934-109	3P+N+E	18	657.8134-109	657.8834-109



MBOX2 Series



MBOX3 Series

Version with interlocked sockets without fuses, with emergency push button - IP65.

Keys

- = For the blackened versions, the current drawable from the socket is less than its rated current (request the electrical diagram from the Scame technical service)
- MCB = Miniature circuit breaker.
- SW. DISC. = Switch-disconnector.

- RCD = Residual current device.
- (▲) Power drawable when not in continuous service.
- (•) MBOX2= plug MBOX3 and MBOX5= inlet



> INTERLOCKED SOCKETS WITHOUT FUSE

MBOX Series

N° Sockets	Type	Output unit										Power supply							
		Interlocked sockets									Output Protection				Input protection				
		16A			32A			63A			MCB				RCD	Main switch		Power	
	2P	2P+E	3P+E	3P+N+E	2P+E	3P+E	3P+N+E	3P+E	3P+N+E	1P	2P	3P	4P	3P	30mA	SW. DISC.	MCB	MAX	
														A	A	A	kW (▲)		
5	MBOX 3		2	2			1				2	2		1	63		63	35	
			3	1			1				3	1		1	63		63	35	
			2	2				1			2	2		1	63		63	35	
			2	1			1		1		2	1		1	63		63	35	
6	MBOX 3		3	3											25		16	9	
			6												25		16	9	
			3	2			1						1		40		32	18	
			2	2			1	1			1	1			40		32	18	
			4	2							2	1			40		32	18	
			3	2				1							40		32	18	
			3	2	1											25		16	9
			2	3			1				2	3		1	63		63	35	
			3	2			1				3	2		1	63		63	35	
			2	3				1			2	3		1	63		63	35	
	MBOX 5	2	1	1			1		1	2	2		1(32) 1(63)	100		100	55		
8	MBOX 5		3	3			1		1	3	1		1	2x63		63	35		
			3	3			1		1	3	1		1(32) 1(63)	2x63		100	55		
			3		2			2		1		1	2(32) 1(63)	2x63		100	55		
			3	3			1		1	3	1		1(32) 1(63)	2x63		100	55		
			3	3			1	1		3	1		2	63		63	35		
9	MBOX 5		4		3			1	1	4	1		1	2x63		63	35		
			3	3				2	1	3	3		2(32) 1(63)	100		100	55		
10	MBOX 5		4		2			2	2	4	2		2(32) 2(63)	1x25 1x40 2x63		100	55		
			4	2			2		2	4	2		2(32) 2(63)	1x25 1x40 2x63		100	55		

Distribution ACS

- The protection at the sockets is realized for the most part with MCB switches.
- Available interlocked sockets: OMNIA Series without fuses (fam. 405) and ADVANCE 2 Series (fam. 561).

- The version with terminal block are supplied with a wall brackets kit.
- Versions with "Type A" RCD switch are also available on request.

with door	Polarity	Input unit					
		With terminal block			With plug (•)		
		IP66	and emergency push button-IP65	Plug	A	IP66	and emergency push button-IP65
x	3P+N+E	657.8035-012	657.8935-012	3P+N+E	63	657.8135-012	657.8835-012
x	3P+N+E	657.8035-013	657.8935-013	3P+N+E	63	657.8135-013	657.8835-013
x	3P+N+E	657.8035-087	657.8935-087	3P+N+E	63	657.8135-087	657.8835-087
x	3P+N+E	657.7035-017	657.7935-017	3P+N+E	63	657.7135-017	657.7835-017
x	3P+N+E	657.8036-028		3P+N+E	16		
x	3P+N+E	657.8036-032	657.8936-032	3P+N+E	16	657.8136-032	657.8836-032
x	3P+N+E	657.8036-044	657.8936-044	3P+N+E	32	657.8136-044	657.8836-044
x	3P+N+E	657.8036-045	657.8936-045	3P+N+E	32	657.8136-045	657.8836-045
x	3P+N+E	657.8036-067	657.8936-067	3P+N+E	32	657.8136-067	657.8836-067
x	3P+N+E	657.8036-069	657.8936-069	3P+N+E	32	657.8136-069	657.8836-069
x	3P+N+E	657.8036-124	657.8936-124	3P+N+E	16	657.8136-124	657.8836-124
x	3P+N+E	657.8036-021	657.8936-021	3P+N+E	63	657.8136-021	657.8836-021
x	3P+N+E	657.8036-022	657.8936-022	3P+N+E	63	657.8136-022	657.8836-022
x	3P+N+E	657.8036-024	657.8936-024	3P+N+E	63	657.8136-024	657.8836-024
x	3P+N+E	658.8056-138	658.8956-138	3P+N+E	125	658.8156-138	658.8856-138
x	3P+N+E	658.8058-034	658.8958-034	3P+N+E	63	658.8158-034	658.8858-034
x	3P+N+E	658.8058-040	658.8958-040	3P+N+E	125	658.8158-040	658.8858-040
x	3P+N+E	658.8058-088	658.8958-088	3P+N+E	125	658.8158-088	658.8858-088
x	3P+N+E	658.8058-090	658.8958-090	3P+N+E	125	658.8158-090	658.8858-090
x	3P+N+E	658.8058-114	658.8958-114	3P+N+E	63	658.8158-114	658.8858-114
x	3P+N+E	658.8059-043	658.8959-043	3P+N+E	63	658.8159-043	658.8859-043
x	3P+N+E	658.8059-229	658.8959-229	3P+N+E	125	658.8159-229	658.8859-229
x	3P+N+E	658.8050-702	658.8950-702	3P+N+E	125	658.8150-702	658.8850-702
x	3P+N+E	658.8050-703	658.8950-703	3P+N+E	125	658.8150-703	658.8850-703



MBOX3 Series



MBOX5 Series

Version with interlocked sockets without fuses and emergency push button - IP65.

Keys

- = For the blackened versions, the current drawble from the socket is less than its rated current (request the electrical diagram from the Scame technical service)
- MCB = Miniature circuit breaker.
- SW. DISC. = Switch-disconnector.

- RCD = Residual current device.
- (▲) Power drawble when not in continuous service.
- (•) MBOX2= plug MBOX3 and MBOX5= inlet



> INTERLOCKED SOCKETS WITHOUT FUSE

MBOX Series

N° Sockets	Type	Output unit										Power supply							
		Interlocked sockets						Output Protection				Input protection							
		16A			32A			63A			MCB			RCD	Main switch		Power		
											1P	2P	3P	4P	3P	30mA	SW. DISC.	MCB	MAX
		2P	2P+E	3P+E	3P+N+E	2P+E	3P+E	3P+N+E	3P+E	3P+N+E						A	A	A	kW (▲)
11	MBOX 5	6	2			2			1	6	2			2 (32) 1 (63)	2x40 2x63		100	55	
		6		2			2		1	6	2			2 (32) 1 (63)	2x40 2x63		100	55	
		9				1			1	9				1 (32) 1 (63)	1x40 2x63		100	55	
		9					1		1	9				1 (32) 1 (63)	1x40 2x63		100	55	
12	MBOX 5	8				2	2			8				4	3x63		100	55	

with door	With terminal block			Input unit			
	Polarity	IP66	and emergency push button-IP65	Plug		IP66	and emergency push button-IP65
				Polarity	A		
x	3P+N+E	658.8050-704	658.8950-704	3P+N+E	125	658.8150-704	658.8850-704
x	3P+N+E	658.8050-705	658.8950-705	3P+N+E	125	658.8150-705	658.8850-705
x	3P+N+E	658.8050-706	658.8950-706	3P+N+E	125	658.8150-706	658.8850-706
x	3P+N+E	658.8050-707	658.8950-707	3P+N+E	125	658.8150-707	658.8850-707
x	3P+N+E	658.8050-708	658.8950-708	3P+N+E	125	658.8150-708	658.8850-708



MBOX5 Series
Version with interlocked sockets without fuses, with emergency push button - IP65.

Distribution ACS

- The protection at the sockets is realized for the most part with MCB switches.
- Available interlocked sockets: OMNIA Series without fuses (fam. 405) and ADVANCE 2 Series (fam. 561).

- The version with terminal block are supplied with wall bracket kit.
- Versions with "Type A" RCD switch are also available on request.

Keys

- = For the blackened versions, the current drawable from the socket is less than its rated current (request the electrical diagram from the Scame technical service)
- MCB = Miniature circuit breaker.
- SW. DISC. = Switch-disconnector.

- RCD = Residual current device.
- (▲) Power drawable when not in continuous service.
- (●) MBOX2= plug MBOX3 and MBOX5= inlet



> SPECIFIC DISTRIBUTION ASSEMBLIES FOR CAMPSITES - IP66

MBOX Series



Type	N° Sockets	Type of socket		
MBOX2	4 OMNIA series sockets	2P+E-16A-250V~	1	656.9024-613
	4 EUREKA series sockets	2P+E-16A-250V~	1	656.9024-614

- Components: OMNIA and EUREKA panel mounting sockets.
- Distribution assemblies provided with front and smooth plate.
- MCB's protection: 1P+N 16A for each socket.

> SPECIFIC DISTRIBUTION ASSEMBLIES FOR PUBLIC AREAS

MBOX Series



Type	N° Sockets	Type of socket	Main switch		
MBOX2	6 sockets	2x2P+E-16A-250V~+1MT 16A 2P	1RCD 40A 1MCB 32A	1	656.7026-665
	EUREKA Series	3x3P+N+E-16A-400V~+1MT 16A 4P	18KW 3P+N+E Terminal Box input unit		
MBOX3	6 sockets	4x2P+E-16A-250V~ + FUSE	1RCD 40A 1MCB 32A	1	657.6136-100
	OMNIA Series	1x3P+N+E-16A-400V~ + FUSE	18KW 3P+N+E Plug 32A input unit		
MBOX5	6 sockets	3x2P+E-16A-250V~ + FUSE	1RCD 40A 1MCB 100A	1	658.6956-216
	OMNIA Series	2x3P+N+E-32A-400V~ + FUSE	55KW 3P+N+E Terminal Box input unit		
		1x3P+N+E-63A-400V~ + FUSE			

- (D) With door.
- (E) With emergency push button.

> DISTRIBUTION ASSEMBLIES WITH OUTLET UNIT WITH TERMINAL BLOCKS

MBOX Series

Type	Inlet unit	Outlet units		
MBOX3	100A 4P	3x63A	(D) 1	657.8033-501
	80A 4P		1x16A	(D) 1
		1x32A		
		2x63A		

> STAND KIT

MBOX Series



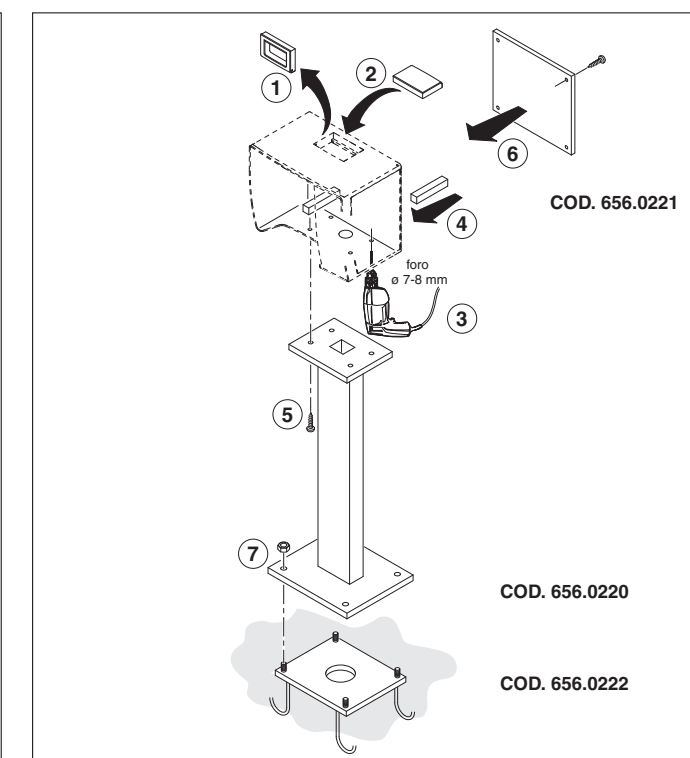
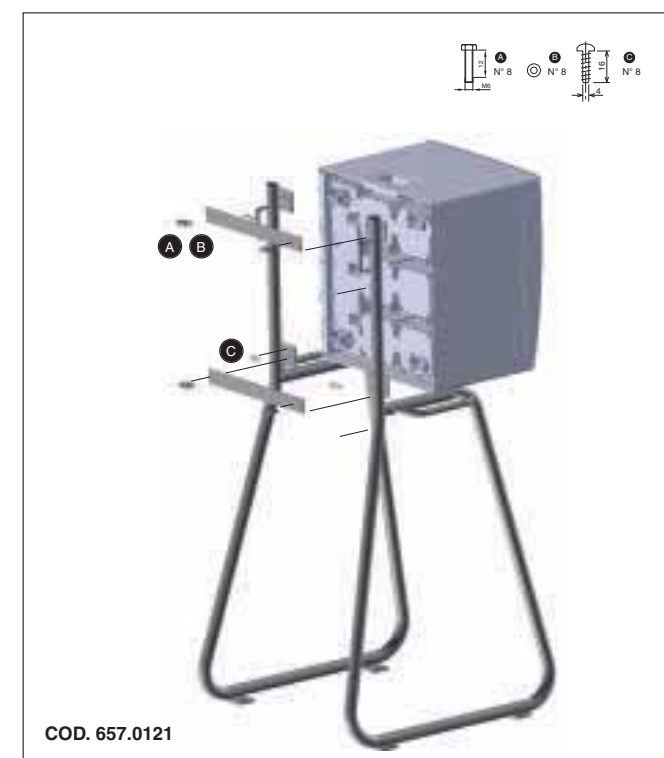
Type		
MBOX2	1	656.0120
MBOX3- MBOX5	1	657.0121

> TURRET FIXING KIT

MBOX Series



Type	Description		
MBOX2	Post with panel fixing plate handle cover threaded blocks and screws for panel-turret assembly	1	656.0220
	Optional steel back closing plate	1	656.0221
	Optional plate for fixing the turret into concrete (provided with anchoring brackets and stud bolts)	1	656.0222

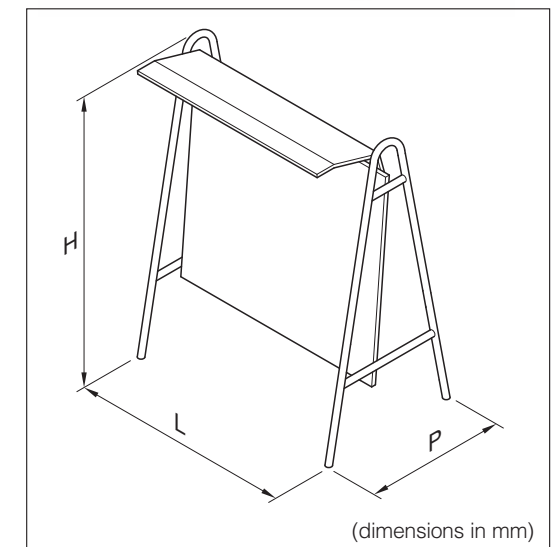


> DISTRIBUTION ASSEMBLIES

MEGA Series

N° Sockets	Output unit										Power supply				
	Interlocked switch sockets outlet					Terminal block (*)						Padlockable main switch (4P)			
	16A	32A	63A	125A	400A	16A	20A	32A	63A	100A			160A	400A	
											380V 4P				
1													1 (250A)	MCB 250A	
2														1	MCB 160A
3															MCB 160A
4															MCB 160A
															MCB 100A
															SW. DISC. 250A
5															MCB 400A
															MCB 250A
															SW. DISC. 250A
6															MCB 160A
															SW. DISC. 400A
															MCB 250A
7															SW. DISC. 630A
															MCB 400A
															MCB 250A
															SW. DISC. 250A

Input unit						
Power supply	Power MAX (+) (Kw)	Short-circuit current (Icw)	Short-circuit current (Icc)	Stand type	Weight Kg	Catalogue number
4 x 95	140		10		15	661.0250-033
4 x 95	90		10		11	661.0160-034
4 x 95	90		10	A	130	661.5160-053
4 x 95	90		10	A	120	661.5160-055
4 x 250	370	10		C	210	661.0314-017
	55		10	A	130	661.5100-056
4 x 95	140		10	C	170	661.0250-061
4 x 95	130	10		A	120	661.5250-066
4 x 160	190		10	C	220	661.0400-036
4 x 160	90		10	C	170	661.0400-054
4 x 95	140		10	A	130	661.5250-071
4 x 95	110	10		A	70	661.5250-031
4 x 95	190		10	A	120	661.5160-050
4 x 160	190	10		C	170	661.0400-027
4 x 95	100		10	C	170	661.0250-042
4 x 250	370	10		C	210	661.0630-043
4 x 250	370	10		C	190	661.0630-059
4 x 160	190		10	C	210	661.0400-064
4 x 95	110		10	C	160	661.0250-069
4 x 95	110	10		A	110	661.5250-007



Stand Dimension			
TYPE	L	P	H
A	1050	760	1500
B	1190	872	1600
C	1810	872	1600

Distribution ACS

- Each outlet unit is protected with:
 - No. 1 MCB with the same rated current as the outlet (the 24V socket outlets are protected with a 10A MCB)
 - No. 1 RCD with 30 mA tripping current
- Inlet unit: 3P+N+E, 400V, 50Hz
- □: 1 piece in a wooden case

Keys

- [1] = Protection made by fuse.
- [2] = RCD 0,03A.
- [3] = RCD 0,3A sel.
- (*) = Terminal block protective RCD with adjustable tripping current and time

- (•) = Maximum power with a 0.5-0.7 simultaneously factor.
- SW. DISC. = Switch-disconnector.
- MCB = Miniature circuit breaker.



> DISTRIBUTION ASSEMBLIES

MEGA Series

N° Sockets	Output unit										Power supply							
	Interlocked switch sockets outlet					Terminal block (*)						Padlockable main switch (4P)						
	16A	32A	63A	125A	400A	16A	20A	32A	63A	100A			160A	400A				
	2P	2P+E	3P+E	3P+N+E	3P+N+E	3P+E	3P+N+E	3P+E	3P+N+E	3P+N+E	3P+N+E	380V 4P						
8											1	4	3	MCB 250A				
		2	2		2	1		1							SW. DISC. 400A			
		2	2		2		1		1						SW. DISC. 400A			
		2	2		4										SW. DISC. 250A			
		2	2							2	2				SW. DISC. 250A			
		2	2	1	1 (2P+E) 2 (3P+E)										SW. DISC. 160A			
		4			2		1		1			1			SW. DISC. 250A			
													2	4 (50A)	1	SW. DISC. 160A		
9			5	1	2		1								MCB 250A			
												5 ^[3] 1	2 (125A)		MCB 250A			
															MCB 160A			
		4			4							2 (2P) 2	2	2	1 (125A)	SW. DISC. 400A		
		2	2	2	2		1									MCB 160A		
		2	2		2		1							1	1 (125A)	SW. DISC. 250A		
		2	2	1	1 (2P+E) 2 (3P+E)									1	1 (40A)	MCB 250A>		
																MCB 160A		
10												2 (2P)	2	4		1	SW. DISC. 630A	
	1	4	4														SW. DISC. 250A	
		3		2	3							1 (2P)			1		MCB 160A	
	1	2	2		2		1							1	1 (125A)		MCB 250A	
11	2	2	2	2		1								1	1		SW. DISC. 400A	
		4	4											1 ^[3] 1	1 ^[3]		MCB 160A	
		1			1							2-2P	7 (25A)				MCB 100A	
		5			5 (3P+E)		1										SW. DISC. 250A	
12														1 (25A)	2 ^[3] 5 ^[3]	2 (40A) 1		SW. DISC. 630A
		2	2									4 (2P)		1 (40A)	2 (50A)			MCB 160A
		3	2		2 (3P+T) 5													SW. DISC. 400A
13	2	4	2	2		1									1			SW. DISC. 400A
		3	3		4		3											MCB 400A
14		4	4		5		1											MCB 400A
		1	1	1	1 (3P+T)									1	6 (40A) 3			MCB 630A

Distribution Acs

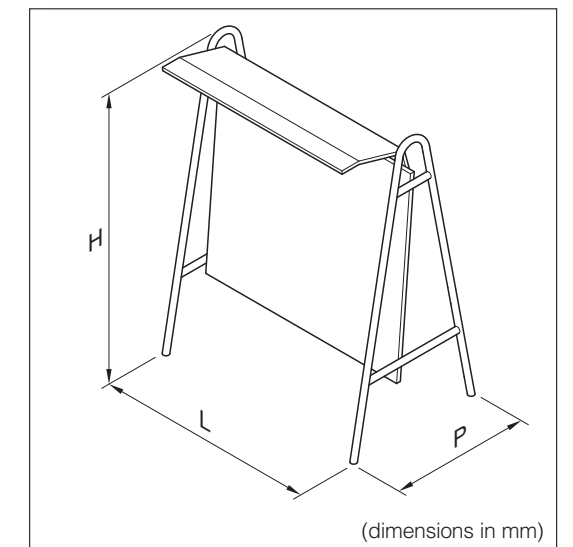
- Each outlet unit is protected with:
 - No. 1 MCB with the same rated current as the outlet (the 24V socket outlets are protected with a 10A MCB)
 - No. 1 RCD with 30 mA tripping current
- Inlet unit: 3P+N+E, 400V, 50Hz
- □: 1 piece in a wooden case.

Input unit							
Power supply	Terminal block mm ²	Power MAX (+) (Kw)	Short-circuit current (Icw)	Short-circuit current (Icc)	Stand type	Weight Kg	Catalogue number
	4 x 95	150		10	C		661.0250-073
	4 x 160	190	10		C	140	661.0314-016
	4 x 160	190	10		C	150	661.0314-011
	4 x 95	110	10		A	80	661.5250-022
	4 x 95	110	10		A	150	661.5250-040
	4 x 95	110	10		A		661.0160-041
	4 x 95	110	10		C	170	661.0250-058
	4 x 95	90	10		C	150	661.0160-065
	4 x 95	150		10	C	200	661.0250-067
	4 x 95	90		10	A	130	661.5160-072
	4 x 160	190	10		C	200	661.0400-021
	4 x 95	90		10	C	150	661.0160-068
	4 x 95	115	10		A	120	661.5250-008
	4 x 95	150		10	C	200	661.0400-009
	4 x 95	90		10	A	170	661.5250-035
	4 x 250	370	10		C	160	661.0630-051
	4 x 95	90	10		C	160	661.0250-079
	4 x 95	90		10	C	150	661.0160-062
	4 x 95	150		10	C	210	661.0250-010
	4 x 250	190	10			200	661.0314-012
	4 x 95	110		10	C	150	661.0160-075
	4 x 70	55		10	A	130	661.5100-074
	4 x 95	110	10		C	130	661.0250-037
	4 x 250	370	10		C	200	661.0630-032
	4 x 95	110		10	B	130	661.0160-057
	4 x 160	210	10		C	140	661.0400-029
	4 x 160	210	10		C	220	661.0314-015
	4 x 160	210	10		C	210	661.0400-045
	4 x 160	210	10		C	200	661.0400-023
	4 x 250	370	10		C	200	661.0630-047

Keys

- [1] = Protection made by fuse.
- [2] = RCD 0,03A.
- [3] = RCD 0,3A sel.

- (*) = Terminal block protective RCD with adjustable tripping current and time
- (•) = Maximum power with a 0.5-0.7 simultanetly factor.
- SW. DISC. = Switch-disconnector.
- MCB = Miniature circuit breaker.



Stand Dimension			
TYPE	L	P	H
A	1050	760	1500
B	1190	872	1600
C	1810	872	1600



> VERSIONS WITH 2 INTERLOCKED-SWITCH SOCKET OUTLETS

DOMINO Series



Available sockets - 16A					Power supply	
					Current	Poles
2					16A	2P+E
	2				16A	3P+E
1	1				16A	3P+N+E

Protection devices						Portable with cable and IEC309 plug	
Main		MCB 16A				IP44	IP66
MCB	RCD 30mA	1P	2P	3P	4P		
2P 16A	2P 25A	3				670.3026-77	670.3526-77
4P A	4P 25A					670.3026-75	



Protection devices				Surface mounting	
MCB 16A				IP44	IP66
1P	2P	3P	4P		
2				671.3020-77	
		2			
1		1		671.3020-75	671.3520-75



Protection devices	Surface mounting partly wired	
(none)	IP44	IP66
partly wired		
	671.3025-75	

These assemblies comply with EN 60439-4 standard.
Particular requirements for assemblies for construction sites (ACS).

> VERSIONS WITH 4 INTERLOCKED-SWITCH SOCKET OUTLETS

DOMINO Series



Available sockets - 16A					Power supply	
					Current	Poles
2	2				16A	3P+N+E
2		2			16A	3P+N+E
3	1				16A	3P+N+E
1	3				16A	3P+N+E
4					16A	2P+E
2	1+1 (#)				32A	3P+N+E

Protection devices						Portable with cable and IEC309 plug	
Main		MCB 16A				IP44	IP66
MCB	RCD 30mA	1P	2P	3P	4P		
4P 16A	4P 25A					670.6046-03	670.6546-03
4P 16A	4P 25A						
4P 16A	4P 25A					670.6046-08	
4P 16A	4P 25A						
2P 16A	2P 25A					670.6046-12	670.6546-12
4P 32A	4P 40A		1	1		670.6047-314	



Protection devices				Surface mounting	
MCB 16A				IP44	IP66
1P	2P	3P	4P		
2		2		671.6040-03	
2			2		
1		3		671.6040-07	
4				671.6040-95	
2		1+1 (#)			671.6540-317



Protection devices	Surface mounting partly wired	
(none)	IP44	IP66
partly wired	671.6045-03	671.6545-03
	671.6045-06	
	671.6045-08	
	671.6045-07	
	671.6045-95	671.6545-95

(#) 32A socket
These assemblies comply with EN 60439-4 standard.
Particular requirements for assemblies for construction sites (ACS).

(#) 32A socket

Distribution ACS

- OMNIA Series interlocked-switch socket outlets
- 4 m rubber cable H07RN-F
- 1:1

Note: This is just a small selection of our full range. Please contact your SCAME dealer for versions with other industrial or domestic socket outlets (Italian, German, British, French and other international standards).



> VERSIONS WITH 3 INDUSTRIAL SOCKET OUTLETS

DOMINO Series



Available sockets - 16A					Power supply	
					Current	Poles
3					16A	2P+E
	3				16A	3P+E
2	1				16A	3P+N+E
2		1			16A	3P+N+E
1	2				16A	3P+N+E
1	1	1			16A	3P+N+E

Protection devices						Portable with cable and IEC309 plug	
Main		MCB 16A				IP44	IP66
MCB	RCD 30mA	1P	2P	3P	4P		
2P 16A	2P 25A	③					670.3536-62
3P 16A	4P 25A						670.3536-63
4P 16A	4P 25A	②	①				670.3536-59
4P 16A	4P 25A						
4P 16A	4P 25A						
4P 16A	4P 25A						

Protection devices				Surface mounting	
MCB 16A				IP44	IP66
1P	2P	3P	4P		
3				671.3030-97	671.3530-97
		3			
2		1		671.3030-59	671.3530-59
2			1		
1		2			671.3530-60
1		1	1	671.3030-99	

Protection devices	Surface mounting partly wired	
(none)	IP44	IP66
partly wired	671.3035-97	671.3535-97
	671.3035-63	
	671.3035-59	671.3535-59
		671.3535-61
	671.3035-60	671.3535-60

○ Switch-disconnectors
 ■ These assemblies comply with EN 60439-4 standard.
 Particular requirements for assemblies for construction sites (ACS).

Distribution ACS

- EUREKA Series industrial socket outlets
- 4 m rubber cable H07RN-F
- 1:1

Note: This is just a small selection of our full range. Please contact your SCAME dealer for versions with other industrial or domestic socket outlets (Italian, German, British, French and other international standards).



> VERSIONS WITH 6 INDUSTRIAL SOCKET OUTLETS

DOMINO Series



Available sockets - 16A					Power supply		Protection devices					Portable with cable and IEC309 plug		
2P+E	3P+E	3P+N+E	2P+E	2P+E	Current	Poles	Main		MCB 16A			IP44	IP66	
							MCB	RCD 30mA	1P	2P	3P	4P		
6					16A	2P+E	2P 16A	2P 25A	⑥					670.6566-119
2	2		2		16A	3P+N+E	4P 16A	4P 25A	③	①			670.6066-111	
3	2		1		16A	3P+N+E	4P 16A	4P 25A						
4	2				16A	3P+N+E	4P 16A	4P 25A	②	①			670.6566-115	
3	3				16A	3P+N+E	4P 16A	4P 25A	③	①			670.6566-117	
6					32A	3P+N+E	-	4P 40A	6				670.6066-126	670.6566-126
2	2		2		32A	3P+N+E	-	4P 40A						
3	2		1		32A	3P+N+E	-	4P 40A	3	1			670.6066-129	
4	2				32A	3P+N+E	-	4P 40A	3	1			670.6566-135	
3	3				32A	3P+N+E	-	4P 40A	3	1			670.6066-317	670.6566-317
5	1				32A	3P+N+E	-	4P 40A	3	1			670.6566-366	

○ Switch-disconnectors
 ■ These assemblies comply with EN 60439-4 standard.
 Particular requirements for assemblies for construction sites (ACS).

Protection devices				Surface mounting		Protection devices		Surface mounting partly wired	
MT 16A				IP44	IP66	(none)	IP44	IP66	
1P	2P	3P	4P						
6						party wired		671.6565-119	
4		2					671.6065-111		
4		2					671.6065-113		
4		2			671.6560-115		671.6565-115		
3		3			671.6560-117		671.6565-117		

Distribution ACS
 - EUREKA Series industrial socket outlets
 - 4 m rubber cable H07RN-F
 - 1:1

Note: This is just a small selection of our full range.
 Please contact your SCAME dealer for versions with other industrial or domestic socket outlets (Italian, German, British, French and other international standards).



> VERSIONS WITH 6 INDUSTRIAL SOCKET OUTLETS AND SAFETY TRANSFORMER - IP44

DOMINO Series



Available sockets - 16A						Power supply		Safety transformer			Protection devices				Portable with cable and IEC309 plug	
2P	2P+E	3P+E	3P+N+E	2P+E	2P+E	Current	Poles	Rating (VA)	MCB 1P prim.	MCB 1P sec.	RCD 30mA	MCB 16A				
2P	2P+E	3P+E	3P+N+E	2P+E	2P+E							1P	2P	3P	4P	
3	2	1				16A	3P+N+E	300	3A	10A	4P 25A	②		①	1	670.6069-148
3	3					16A	2P+E	300	3A	10A	2P 25A	③	1			670.6069-149

○ Switch-disconnectors
 ■ These assemblies comply with EN 60439-4 standard.
 Particular requirements for assemblies for construction sites (ACS).

> VERSIONS WITH 6 INDUSTRIAL SOCKET OUTLETS AND SAFETY TRANSFORMER - IP66

DOMINO Series



Available sockets - 16A						Power supply		Safety transformer			Protection devices				Portable with cable and IEC309 plug	
2P	2P+E	3P+E	3P+N+E	2P+E	2P+E	Current	Poles	Rating (VA)	MCB 1P prim.	MCB 1P sec.	RCD 30mA	MCB 16A				
2P	2P+E	3P+E	3P+N+E	2P+E	2P+E							1P	2P	3P	4P	
3	2	1				16A	3P+N+E	300	3A	10A	4P 25A	②		①	1	670.6569-148
3	3					16A	2P+E	300	3A	10A	2P 25A	③	1			670.6569-149

○ Switch-disconnectors
 ■ These assemblies comply with EN 60439-4 standard.
 Particular requirements for assemblies for construction sites (ACS).

Distribution ACS
 - Industrial socket outlets EUREKA Series
 - Safety transformer 230/24V~ - SELV

- 4 m rubber cable H07RN-F
 - ①:1

Note: This is just a small selection of our full range. Please contact your SCAME dealer for versions with other industrial or domestic socket outlets (Italian, German, British, French and other international standards).



> VERSIONS WITH 3 SOCKET OUTLETS

BLOCK 3 Series



Available sockets 16A					Power supply	Portable with cable and plug MCB protected version			Portable with cable and plug MCB+RCD protected version				
2P+E	3P+E	3P+N+E	2P+E	2P+E		Current	Poles	MCB	IP44	IP66	MCB	RCD 30mA	IP44
1	1		1		16A	3P+N+E	4P 16A	630.3000-052		4P 16A (•)		630.3006-052	
1			2			2P+E				2P 16A	2P 25A	630.3006-362	
2			1			2P+E	2P 16A	630.3000-054		2P 16A	2P 25A	630.3006-054	
			3			2P+E	2P 16A	630.3000-055		2P 16A	2P 25A	630.3006-055	
2				1		2P+E	2P 16A	630.3000-056		2P 16A	2P 25A	630.3006-056	
2				1(*)		2P+E	2P 16A	630.3000-401					
2	1					3P+N+E	4P 16A	630.3000-059	630.3500-059	4P 16A (•)		630.3006-059	630.3506-059
1	2			4P 16A			630.3000-060	630.3500-060	4P 16A (•)	630.3006-060	630.3506-060		
3						2P+E	2P 16A	630.3000-062	630.3500-062	2P 16A	2P 25A	630.3006-062	630.3506-062
	3					3P+E	3P 16A	630.3000-063	630.3500-063	4P 16A (•)		630.3006-063	630.3506-063
1	1+1(#)				32A	3P+N+E	4P 16A	630.3000-324	630.3500-324	4P 16A (•)		630.3006-324	630.3506-324
1		1+1(#)		4P 16A			630.3000-325	630.3500-325	4P 16A (•)	630.3006-325	630.3506-325		

(#) 32A socket.
 (*) Standard French socket.
 (•) Residual Current circuit Breaker with Overcurrent protection (RCBO).
 These assemblies comply with EN 60439-4 standard.
 Particular requirements for assemblies for construction sites (ACS).

Surface mounting MCB protected versions			Surface mounting MCB+RCD protected versions				Surface mounting without protection devices	
MCB	IP44	IP66	MCB	RCD 30mA	IP44	IP66	IP44	IP66
4P 16A	632.3000-052		4P 16A (•)		632.3006-052		632.3005-052	
1+N 16A	632.3000-054		1+N 16A	4P 25A	632.3006-054		632.3005-054	
1+N 16A	632.3000-055		1+N 16A	4P 25A	632.3006-055		632.3005-055	
1+N 16A	632.3000-056		1+N 16A	4P 25A	632.3006-056		632.3005-056	
4P 16A	632.3000-059	632.3500-059	4P 16A (•)		632.3006-059	632.3506-059	632.3005-059	632.3505-059
4P 16A	632.3000-060	632.3500-060	4P 16A (•)		632.3006-060	632.3506-060	632.3005-060	632.3505-060
1+N 16A	632.3000-062	632.3500-062	1+N 16A	2P 25A	632.3006-062	632.3506-062	632.3005-062	632.3505-062
3P 16A	632.3000-063	632.3500-063	4P 16A (•)		632.3006-063	632.3506-063	632.3005-063	632.3505-063
4P 16A	632.3000-324	632.3500-324	4P 16A (•)		632.3006-324	632.3506-324	632.3005-324	632.3505-324
4P 16A	632.3000-325	632.3500-325	4P 16A (•)		632.3006-325	632.3506-325	632.3005-325	632.3505-325

Note: This is just a small selection of our full range.
 Please contact your SCAME dealer for versions with other industrial or domestic socket outlets (Italian, German, British, French and other international standards).



> VERSION WITH 4 SOCKET OUTLETS

BLOCK 4 Series



Available sockets 16A					Power supply		Portable with cable and plug MCB protected version			Portable with cable and plug MCB+RCD protected version				
2P+E	3P+E	3P+N+E	2P+E	2P+E	Current	Poles	MCB	IP44	IP66	MCB	RCD 30mA	IP44	IP66	
1	1		1	1	16A	3P+N+E	4P 16A	630.4000-001		4P 16A	4P 25A	630.4006-001		
1	1		2											
2			1	1		2P+E	2P 16A	630.4000-002		2P 16A	2P 25A	630.4006-002		
2			2								2P 16A (●)		630.4006-330(*)	
2	2					3P+N+E	4P 16A	630.4000-003	630.4500-003	4P 16A	4P 25A	630.4006-003	630.4506-003	
2		2		4P 16A			630.4000-006	630.4500-006	4P 16A	4P 25A	630.4006-006	630.4506-006	630.4506-006	
1	3			4P 16A			630.4000-007	630.4500-007	4P 16A	4P 25A	630.4006-007	630.4506-007	630.4506-007	
3	1			4P 16A			630.4000-008	630.4500-008	4P 16A	4P 25A	630.4006-008	630.4506-008	630.4506-008	
			2	2		2P+E	2P 16A	630.4000-010		2P 16A	2P 25A	630.4006-010		
4											2P 16A	2P 25A	630.4006-012	630.4506-012
	4									2P 16A (●)		630.4006-331(*)	630.4506-331(*)	
		4				3P+E	3P 16A	630.4000-013	630.4500-013	3P 16A	4P 25A	630.4006-013	630.4506-013	
											4P 16A	4P 25A	630.4006-188	
2	1+1(#)					32A	3P+N+E	4P 16A	630.4000-326	630.4500-326	4P 16A	4P 25A	630.4006-326	630.4506-326
1	2+1(#)			4P 16A				630.4000-327	630.4500-327	4P 16A	4P 25A	630.4006-327	630.4506-327	630.4506-327
2		1+1(#)		4P 16A				630.4000-328	630.4500-328	4P 16A	4P 25A	630.4006-328	630.4506-328	630.4506-328
1		2+1(#)		4P 16A	630.4000-329			630.4500-329	4P 16A	4P 25A	630.4006-329	630.4506-329	630.4506-329	
		2+1(#)	2											
		1+1(#)	3											

Surface mounting MCB protected versions			Surface mounting MCB+RCD protected versions				Surface mounting without protection devices	
MT	IP44	IP66	MCB	RCD 30mA	IP44	IP66	IP44	IP66
4P 16A	632.4000-001		4P 16A	4P 25A	632.4006-001		632.4005-001	
4P 16A	632.4000-342							
1+N 16A	632.4000-002		1+N 16A	2P 25A	632.4006-002		632.4005-002	
			4x1P 16A	2P 63A	632.4006-330			
4P 16A	632.4000-003	632.4500-003	4P 16A	4P 25A	632.4006-003	632.4506-003	632.4005-003	632.4505-003
4P 16A	632.4000-006	632.4500-006	4P 16A	4P 25A	632.4006-006	632.4506-006	632.4005-006	632.4505-006
4P 16A	632.4000-007	632.4500-007	4P 16A	4P 25A	632.4006-007	632.4506-007	632.4005-007	632.4505-007
4P 16A	632.4000-008	632.4500-008	4P 16A	4P 25A	632.4006-008	632.4506-008	632.4005-008	632.4505-008
1+N 16A	632.4000-010		1+N 16A	2P 25A	632.4006-010		632.4005-010	
2P 16A	632.4000-012	632.4500-012	1+N 16A	2P 25A	632.4006-012	632.4506-012	632.4005-012	632.4505-012
			4x1P 16A	2P 63A	632.4006-331	632.4506-331		
3P 16A	632.4000-013	632.4500-013	3P 16A	4P 25A	632.4006-013	632.4506-013	632.4005-013	632.4505-013
			4P 16A	4P 25A		632.4506-188		
4P 16A	632.4000-326	632.4500-326	4P 16A	4P 25A	632.4006-326	632.4506-326	632.4005-326	632.4505-326
4P 16A	632.4000-327	632.4500-327	4P 16A	4P 25A	632.4006-327	632.4506-327	632.4005-327	632.4505-327
4P 16A	632.4000-328	632.4500-328	4P 16A	4P 25A	632.4006-328	632.4506-328	632.4005-328	632.4505-328
4P 16A	632.4000-329	632.4500-329	4P 16A	4P 25A	632.4006-329	632.4506-329	632.4005-329	632.4505-329
1x 2P 16A 1x 3P 16A 1x 4P 32A	632.4000-828(●)							
	632.4000-829(●)							

(*) with 4 16A switch-disconnectors.
 (#) 32A socket.
 (●) Residual Current circuit Breaker with Overcurrent protection (RCBO).
 These assemblies comply with EN60439-4 standard.
 Particular requirements for assemblies for construction sites (ACS).

Distribution ACS
 - 4 m rubber cable H07RN-F
 - 1:1

Note: This is just a small selection of our full range.
 Please contact your SCAME dealer for versions with other industrial or domestic socket outlets (Italian, German, British, French and other international standards).



(●) BLOCK 4 Series
 VERSION WITH 5 SOCKETS



> VERSION WITH 4 SOCKET OUTLETS MOUNTED IN AN ENCLOSED FRAME

BLOCK 4 Series



Available sockets 16A					Power supply		Protection devices		Portable with cable and plug MCB protected version		
2P+E	3P+E	3P+N+E	2P+E	2P+E	Current	Poles	MCB	RCD 30mA	IP44	IP66	
2	2										16A
2		2									
1	3										
3	1					4P 16A	4P 25A	630.4106-008	630.4606-008		
4						2P 16A	2P 25A	630.4106-012	630.4606-012		
	4					3P+E	3P 16A	4P 25A	630.4106-013	630.4606-013	

- Support with roof in steel: allows the distribution assembly to be sustained for a correct earth usage.

- 1,5mm rubber cable H07RN-F

> VERSION WITH 4 SOCKET OUTLETS AND SAFETY TRANSFORMER

BLOCK 4 Series



Available sockets - 16A			Power supply		Safety transformer			Protection devices				Portable with cable and plug MCB protected version				
2P	2P+E	3P+E	Current	Poles	Rating (VA)	MT prim. 2P	MT sec. 2P	mod. cod.	RCBO 30 mA	1P	MCB 16A			IP44	IP66	
											2P	3P	4P			
4			16A	2P+E	300	3A	10A	4						630.4009-014	630.4509-014	
2	2				150	2A	5A	8	2P 16A(*)	②					630.4009-323	630.4509-323
2		2		3P+N+E	150	2A	5A	7	4P 16A						630.4009-016	630.4509-016
2	1	1			150	2A	5A	8	4P 16A							630.4009-017

○ Switch-disconnectors

■ These assemblies comply with EN 60439-4 standard.

(*) MT 2P 16A + DIFF. 2P 25A.

- Safety transformer 220/24V~ SELV

- 4m rubber cable H07RN-F

Distribution ACS

- 1:1

> DISTRIBUTION ASSEMBLIES STAND

BLOCK Series



Description

For 1 BLOCK 4 distribution assembly



2

654.0600

- Suitable for BLOCK 4 distribution assemblies
- Made of zinc-plated steel
- Distribution assembly fastened by screws
- Portable



Protection devices					Surface mounting MCB protected version	
RCBO 30 mA	1P	MCB 16A			IP44	IP66
		2P	3P	4P		
					632.4009-014	32.4509-014
		2			632.4009-015	632.4509-015
			1		632.4009-016	632.4509-016
				1	632.4009-017	632.4509-017

Note: This is just a small selection of our full range.

Please contact your SCAME dealer for versions with other industrial or domestic socket outlets (Italian, German, British, French and other international standards).



> RUBBER VERSIONS WITH 4-5 SOCKET OUTLETS - IP44

GOMMA Series



Available sockets 16A					Power supply		Protection devices						Portable with cable and plug
2P+E	3P+E	3P+N+E	2P+E	2P+E	Current	Poles	MAIN		MCB 16A				
2P+E	3P+E	3P+N+E	2P+E	2P+E			MCB	RCD 30mA	1P	1P+N	3P	4P	
5					16A	2P+E		2P 25A	5*	1			690.4200-300
2	2				32A	3P+N+E		4P 40A	2(10A)		2(10A)		690.4200-292
	4			3P+E			4P 40A				2		690.4200-295
2		1		1		3P+N+E		4P 40A	3			1	690.4200-301

(*) Isolator.

> RUBBER VERSIONS WITH 4 + 4 SOCKET OUTLETS - IP44

GOMMA Series



Available sockets 16A					Power supply		Protection devices		Double sided units
2P+E	3P+E	3P+N+E	2P+E	2P+E	Current	Poles	MCB 1P+N - 2A	RCD 30mA	
4+4									
4+4							4+4		692.4300-70

> RUBBER VERSIONS WITH 3 + 3 SOCKET OUTLETS - IP44

GOMMA Series

Available sockets 16A					Power supply		Protection devices		Double sided units
2P+E	3P+E	3P+N+E	2P+E	2P+E	Current	Poles	MCB 1P+N - 2A	RCD 30mA	
3+3									

These versions are especially suitable for electrical installations in camping grounds.

Distribution assemblies TTA

- EUREKA Series plug
- 3 m rubber cable H07RN-F
- 1:1

Note: This is just a small selection of our full range.

Please contact your SCAME dealer for versions with other industrial or domestic socket outlets (Italian, German, British, French and other international standards).



> ACS ASSEMBLIES WITH SAFETY AND ISOLATING TRANSFORMER - IP55

TRANSFORMER Series



Voltage (V)	Power (VA)	IP67 Sockets	Cutoff switch (1P+N)	Plug switch (1P)		
230/24V	1.000 VA	2x2Px32A 24V	1MT 6A	2MT 16A	1	630.011
	1.500 VA		1MT 8A	2MT 32A	1	630.012
230/48V	1.000 VA	2x2Px32A 48V h12	1MT 6A	2MT 10A	1	630.021
	1.500 VA		1MT 8A	2MT 16A	1	630.022
230/230V	1.000 VA	1x2P+Ex16A 220V h6	1MT 6A	1MT 6A	1	630.031
	1.500 VA		1MT 10A	1MT 10A	1	630.032

Note: the equipment must be kept outside narrow conducting spaces.
 - Plug mod. EUREKA 2P+E IP67 16A 230V 6h
 - Rubber electric cable 2x1,5 mm² H07RN-F (length 1,5 m)
 - Safety transformer: SELV protection (230/24V and 230/48V)
 - Isolating transformer: electric shielding protection (230/230V)
 - Provided with housing mod. SCABOX complete with lifting handle
 - MCB with operating time complying with D curve diagram



ACS IP55 PANEL BOARD PROVIDED WITH BOTH SAFETY AND INSULATED TRANSFORMER

The power supply system is provided with a safety or fully insulated transformer that allows the use of electric equipment even in confined conductive spaces, confined spaces generally delimited by metal or conductive surfaces. Where it is possible for human contact to occur a safety or fully insulated transformer must be used. Examples of confined conductive spaces within the construction / building yard are: metal tanks, metal pipe systems, damp underground channels, excavations and scaffolding.

> ACS DISTRIBUTION BOXES WITH FOLDING STAND - IP55

MOBIL Series



Socket outlets					Protections			
220V 2P+E 16A	380V 3P+E 16A	380V 3P+E 32A	380V 3P+N +E 16A	380V 3P+N +E 32A	Main RCBO 4P (32A)	Sockets MCB 1P (16A)	MCB 3P (16A)	
4	-	1	1	-	1	4	1	670.9566-456
4	1	-	1	-	1	2	2	670.9566-457
3	1	-	1	1	1	2	2	670.9566-458
3	1	-	2	-	1	2	2	670.9566-459
6	-	-	-	-	1(*)	-	-	670.9566-464
6	-	-	-	-	1(**)	6	-	670.9566-465
4	1	1	-	-	1	4	1	670.9566-466
4	-	-	1	1	1	4	1	670.9566-467

(*) RCD 2P 25A + MCB 1P+N - 16A + Appliance inlet 220V - 2P+E - 16A - IP67.

(**) Switch-disconnector + RCD 4P 40.

- Wired, ready to use

- Power supply: appliance inlet 380V - 3P+N+E 32A - IP67

- Main switch: RCBO 30 mA

- MCBs for the sockets protection

- Interlocked socket outlets OMNIA Series

- Foldable stand provided with handle

- Dimensions (closed) 686x392 mm

> FOLDING STAND

MOBIL Series



Description		
Folding stand suitable for all MOBIL IP55 Series boxes	1	654.0610



IP55 - ACS ASSEMBLIES WITH FOLDING STAND

The foldable stand facilitates easy transport and storage.

> EMPTY ENCLOSURE

SALVAMOTORE Series



Description		
Without appliance inlet	1/10	299.1600-00
- Equipped DIN Rail and cable gland. - Appliance inlet EUREKA Series IP67 (snap-on couplet).		- Hinged cover fixed with stainless steel screws. - Mounting by brackets.

> SINGLE PHASE STOP-START UNIT

SALVAMOTORE Series



Description	Description	In (A)	Loc (kA)	Motor power (*)			
				kW	CV		
16A 2P+E 6h - 230V~ thermal device		16	-	2,2	3	1/10	299.1693-00
16A 2P+E 6h - 230V~ thermal device+fuse		16	6	2,2	3	1/10	299.1693-01

(*) Motor power calculated with, rated voltage 230/400V and $\cos \varphi 0,7$.
 - Appliance inlet EUREKA Series IP67 (snap-on couplet).
 - Hinged cover fixed with stainless steel screws.
 - Mounting by brackets.

- Protection with relay, thermal device and fuse.
 - With appliance inlet and 1,2m of HO7RN-F rubber cable.
 - The combination relay + thermal device is set for a current not exceeding 16A.

> STOP-START UNIT

SALVAMOTORE Series



Description	Description	In (A)	Loc (kA)	Motor power (*)			
				kW	CV		
16A 3P+E 6h - 400V~ thermal device		10-14	-	4,8-7,7	6,6-10,5	1/10	299.1686-16

(*) Motor power calculated with, rated voltage 230/400V and $\cos \varphi 0,7$.
 - Appliance inlet EUREKA Series IP67 (snap-on couplet).
 - Hinged cover fixed with stainless steel screws.
 - Mounting by brackets.

- Protection with thermal overload relay.
 - With appliance inlet and 1,2m of HO7RN-F rubber cable.
 - The thermal overload relay can be set on the limit current according to the motor power.

> MOTOR CUT-OUT

SALVAMOTORE Series



Description	In (A)	Loc (kA)	Motor power (*)			
			kW	CV		
16A 2P+E 6h - 230V~	1,6 - 2,5	6	0,2 - 0,4	0,3 - 0,5	1/10	299.1693-02
	2,5 - 4,0	6	0,4 - 0,6	0,5 - 0,9	1/10	299.1693-04
	4,0 - 6,3	6	0,6 - 1,0	0,9 - 1,4	1/10	299.1693-06
	6,3 - 10	6	1,0 - 1,6	1,4 - 2,2	1/10	299.1693-10
16A 3P+E 6h - 400V~	1,6 - 2,5	6	0,7 - 1,2	1,0 - 1,5	1/10	299.1696-02
	2,5 - 4,0	6	1,2 - 1,9	1,5 - 2,5	1/10	299.1696-04
	4,0 - 6,3	6	1,9 - 3	2,5 - 4,1	1/10	299.1696-06
	6,3 - 10	6	3 - 4,8	4,1 - 6,6	1/10	299.1696-10
	10 - 16	6	4,8 - 7,7	6,6 - 10,5	1/10	299.1696-16

(*) Motor power calculated with, rated voltage 230/400V and $\cos \varphi 0,7$.
 - Appliance inlet EUREKA Series IP67 (snap-on couplet).
 - Hinged cover fixed with stainless steel screws.
 - Mounting by brackets.

- Protection with normal starter switch on low-voltage tripping device.
 - With appliance inlet and 2m of HO7RN-F rubber cable.
 - The Motor starter switch can be set on the limit current according to the motor power.

MOTOR CONTROL DEVICE – IP55

These devices have the following features:
 - Start-stop functions
 - Emergency stop
 - Thermal overload protection
 - Avoid the re-start of the working machine unless there is a manual operation.

ACCESSORIES

Plugs cover catalogue number 570.0316 page 74.

